



ZIPPY TECHNOLOGY CORP.



10F, NO.50, MIN CHYUAN ROAD,
SHIN-TIEN CITY, TAIPEI COUNTY,
TAIWAN, R.O.C

TEL: 886-2-2918-8512 / 886-2-2918-0603
FAX: 886-2-2915-5765 / 886-22916-0215
[Http://www.zippy.com.tw](http://www.zippy.com.tw)

APPROVED DATA SHEET

Model: 1000100457(DF-03S-3C-Z)

ISSUED DATE: NOV.06.2015
APPROVED NO.: 1000100457.D
PAGE: 1/4

The undersigned guarantee of the model switches is meets the following specifications.

1. Operation Characteristics

| | | |
|----------------------------|---|--------------|
| Operating Force (OF) | : | Max.57 gf |
| Releasing Force (RF) | : | Min.12 gf |
| Free Position (FP) | : | Max.9.3 mm |
| Operating Position (OP) | : | 7.9±0.7 mm |
| Movement Differential (MD) | : | Max. 0.29 mm |
| Over-travel (OT) | : | Min. 0.55 mm |
| Pre-travel (PT) | : | Max.2.1 mm |

2. Specifications

| | | |
|-----------------------------|---|--|
| Initial Contact Resistance | : | Max. 100 mΩ. (Measured by ohm meter –Open Voltage<1VDC, Driver current -100mA) Before measure the switch contact resistance, please press the switch three times on and off. |
| Initial Dielectric Strength | : | 1,000VAC(50-60HZ)/minute between contacts. 1,500VAC(50-60HZ)/minute between Live-parts and dead metal parts. |
| Insulation Resistance | : | Min. 100 MΩ (500 VDC/ minute) between Live-parts and dead metal parts. |
| Circuit Arrangement | : | SPDT (Single pole double throw) |
| Rating | : | 3A 125VAC; 3A 24VDC |
| Service Life | : | Min. 10,000 operations |
| Rating Load | : | Resistive Load |
| Operating Frequency | : | 10~30 operations per minute |
| Safety Certificate | : | UL, cUL, ENEC |
| Mechanical Service Life | : | Min. 1,000,000 operations. |
| Operating Frequency | : | Max. 120 operations per minute. |

Operating application of the switch : Set the switch pushing distance from 60% to 90% of the specified OT value.



ZIPPY TECHNOLOGY CORP.



10F, NO.50, MIN CHYUAN ROAD,
SHIN-TIEN CITY, TAIPEI COUNTY,
TAIWAN, R.O.C

TEL: 886-2-2918-8512 / 886-2-2918-0603
FAX: 886-2-2915-5765 / 886-22916-0215
[Http://www.zippy.com.tw](http://www.zippy.com.tw)

APPROVED DATA SHEET

Model: 1000100457(DF-03S-3C-Z)
=====

ISSUED DATE: NOV.06.2015
APPROVED NO.: 1000100457.D
PAGE: 2/4

3. Environments

- Operating Temperature : -40°C ~ 85°C (with no icing)
- Vibration Resistance : 10~55Hz, displacement 0.75mm(p-p)
- Shock Resistance : Destruction: 1,000 m/s² {approx. 100G} max.
Malfunction: 300 m/s² {approx. 30G} max.

(For the pin plunger models, the vibration & shock condition apply for use at the free position and total travel position)

(For the lever models, the vibration & shock condition apply for use at the total travel position)

- Soldering by hand : 260°C maximum within 5 seconds.
300°C maximum within 3 seconds.
- Soldering bath : 260°C maximum within 5 seconds. (PCB thickness more than Min 1.6 mm.)

ZIPPY TECHNOLOGY CORP.

卓妍蓁

PREPARED

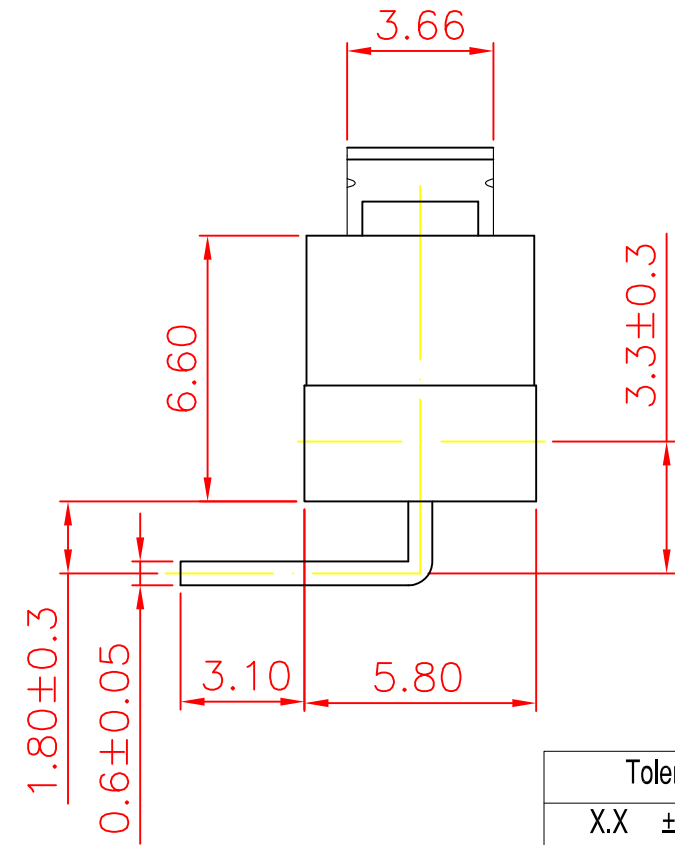
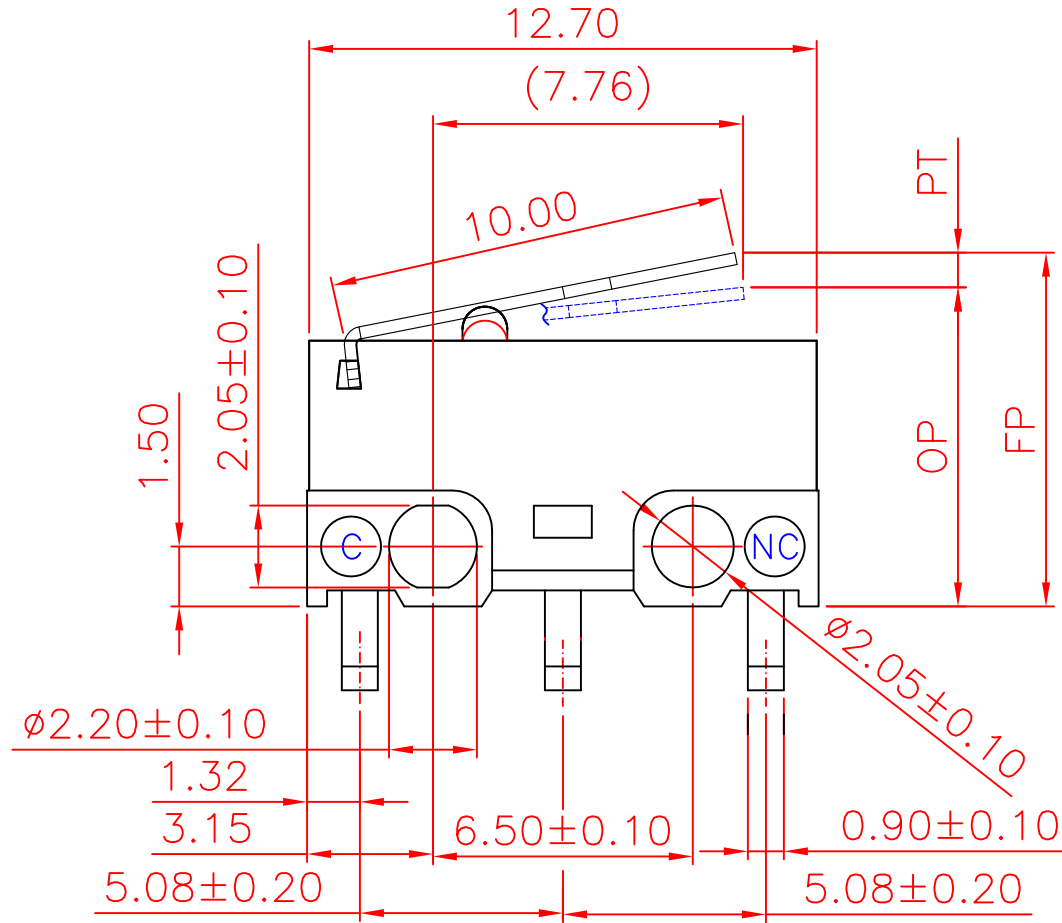
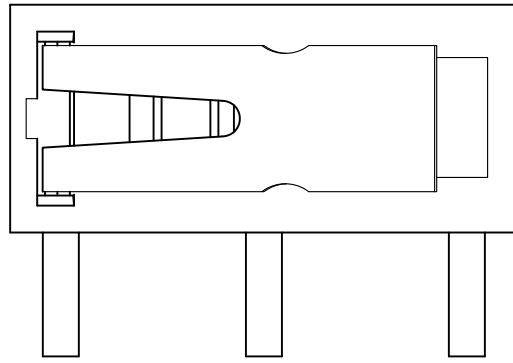
簡永鎮

CHECKED

張哲維

APPROVED

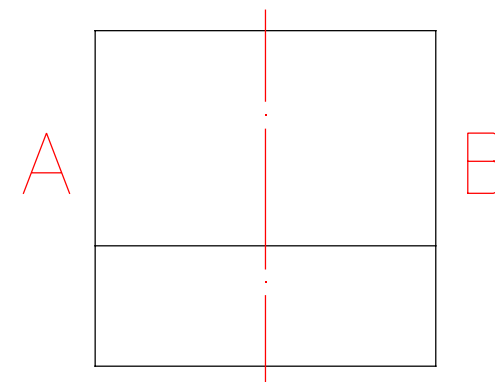
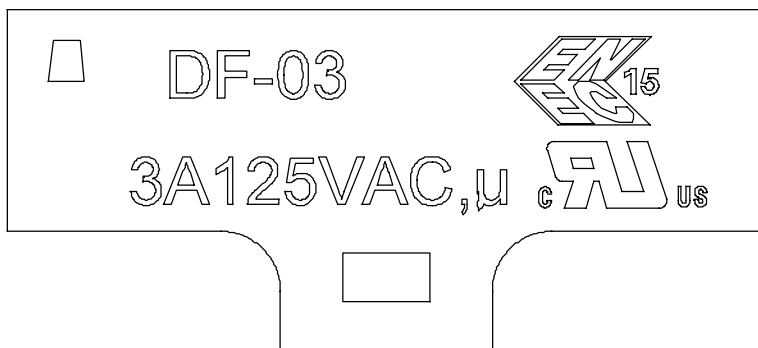
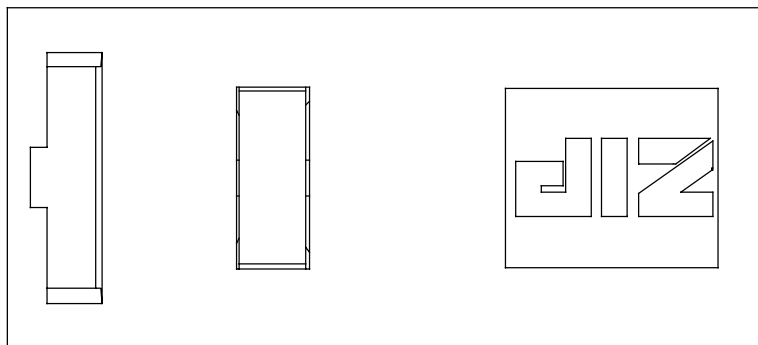
Dimensions drawing



| Tolerance | |
|-----------|------|
| X.X | ±0.2 |
| XX.X | ±0.4 |

| | | | | | |
|----------|-------------|---------|-----|-----------|---------|
| VIEW | | SIZE | A4 | UNIT | mm |
| DATE | OCT.20.2010 | VER. | 1.1 | FILE NAME | DF-03C0 |
| APPROVAL | 李金龍 | CONFIRM | 張哲維 | DESIGN | 謝佩君 |

Marking drawing



- 1. Marking will be random on side A or side B.
- 2. Markings are either by printing or molding.
- 3. Appearance according to dimensions drawing.

| | | | | | |
|----------|-------------|---------|-----|-----------|-------|
| VIEW | | SIZE | A4 | UNIT | mm |
| DATE | SEP.22.2015 | VER. | 1.9 | FILE NAME | DF-03 |
| APPROVAL | 張哲維 | CONFIRM | 歐大揮 | DESIGN | 簡永鎮 |