



ZIPPY TECHNOLOGY CORP.



10F, NO.50, MIN CHYUAN ROAD,
SHIN-TIEN CITY, TAIPEI COUNTY,
TAIWAN, R.O.C

TEL: 886-2-2918-8512 / 886-2-2918-0603
FAX: 886-2-2915-5765 / 886-22916-0215
[Http://www.zippy.com.tw](http://www.zippy.com.tw)

APPROVED DATA SHEET

Model: 1000080048(CNR-05S-03-Z)

ISSUED DATE: 2019.12.23
APPROVED NO.: 1000080048.F
PAGE: 1/5

The undersigned guarantee of the model switches is meets the following specifications.

1.Operation Characteristics

Operating Force (OF) : Max 7.6 gf
Releasing Force (RF) : Min. 0.9 gf
Operating Position (OP) : 18°±3°
Releasing Position (RP) : 9°± 4°

2. Specifications

Initial Dielectric Strength : 1,000VAC(50-60HZ) /minute between contacts.
1,500VAC (50-60HZ) /minute between Live-parts and dead metal parts.
Insulation Resistance : Min. 100 MΩ (500 VDC/ minute) between Live-parts and dead metal parts.
Circuit Arrangement : SPDT (Single pole double throw)
Rating : 1A 125/250VAC; 5A 125/250VAC
Service Life : Min. 6,000 operations
Rating Load : Resistive Load
Operating Frequency : 10~30 operations per minute
Safety Certificate : UL, cUL
Mechanical Service Life : Min. 10,000,000 operations.
Operating Frequency : Max. 120 operations per minute



ZIPPY TECHNOLOGY CORP.



10F, NO.50, MIN CHYUAN ROAD,
SHIN-TIEN CITY, TAIPEI COUNTY,
TAIWAN, R.O.C

TEL: 886-2-2918-8512 / 886-2-2918-0603
FAX: 886-2-2915-5765 / 886-22916-0215
[Http://www.zippy.com.tw](http://www.zippy.com.tw)

APPROVED DATA SHEET

Model: 1000080048(CNR-05S-03-Z)
=====

ISSUED DATE: 2019.12.23
APPROVED NO.: 1000080048.F
PAGE: 2/5

3. Environments

- Operating Temperature : -40°C ~ 65°C(with no icing)
- Vibration Resistance : 10~55Hz, displacement 0.75mm(p-p)
- Shock Resistance : Destruction: 1,000 m/s² {approx. 100G} max.
Malfunction: 300 m/s² {approx. 30G} max.

(For the pin plunger models, the vibration & shock condition apply for use at the free position and total travel position)

(For the lever models, the vibration & shock condition apply for use at the total travel position)

- Soldering by hand : 350 °C maximum within 5 seconds

ZIPPY TECHNOLOGY CORP.

許志誠

PREPARED

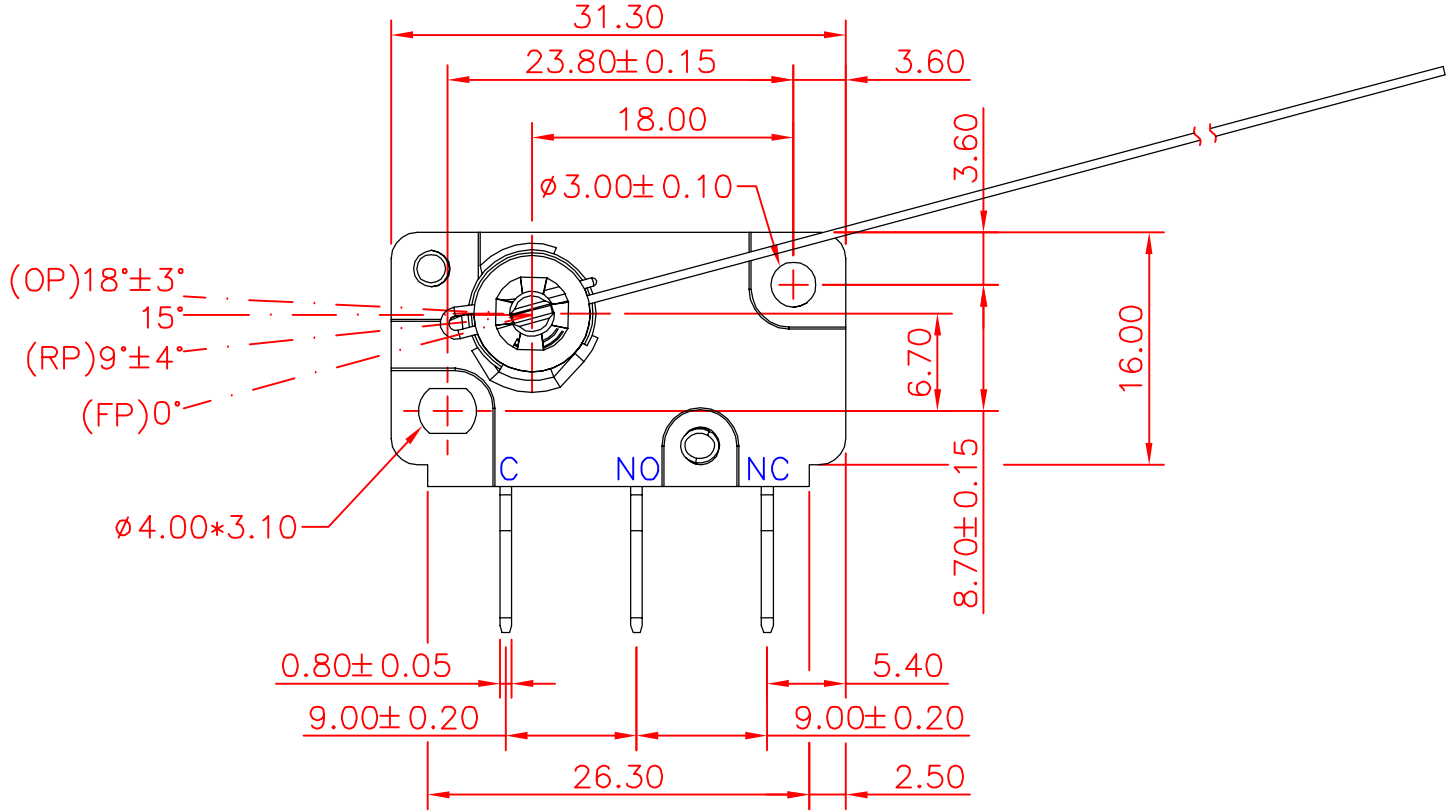
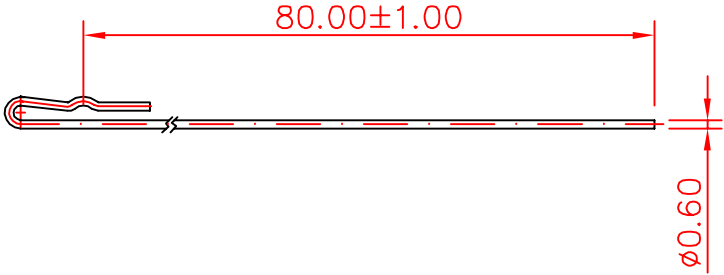
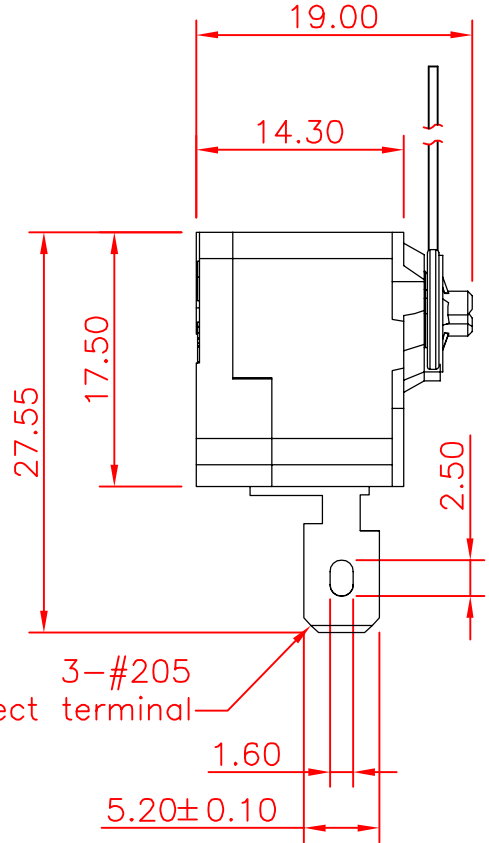
張奕鉸

CHECKED

沈俊榮

APPROVED

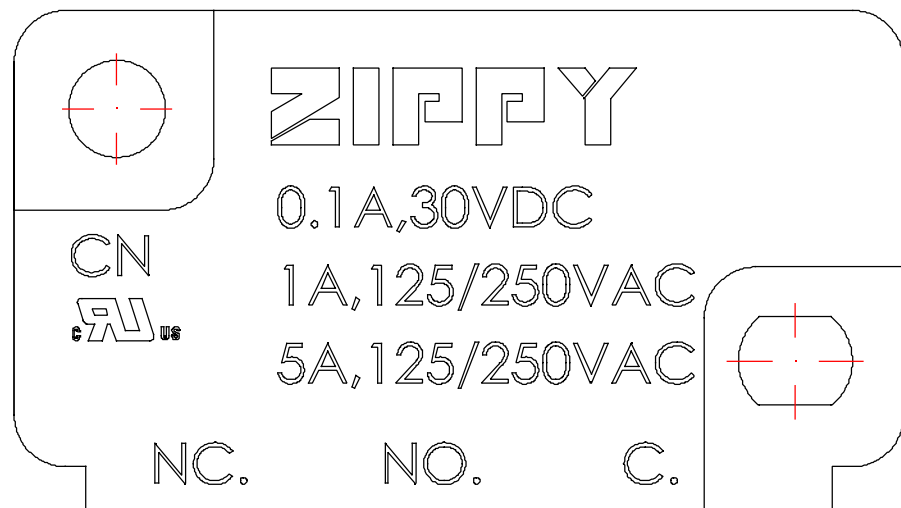
Dimensions drawing



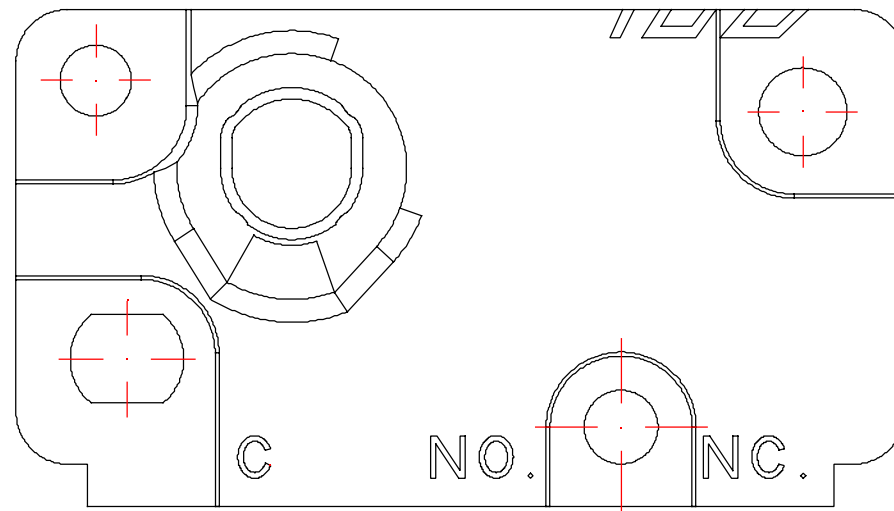
Tolerance	
X.X	±0.2
XX.X	±0.4

VIEW		SIZE	A4	UNIT	mm
DATE	Nov.22.2011	VER.	1.3	FILE NAME	CNR-03
APPROVAL	李金龍	CONFIRM	張哲維	DESIGN	方鼎杰

Marking drawing



COVER



CASE

Markings are either by printing or molding

VIEW		SIZE	A4	UNIT	mm
DATE	JUL 15. 2014	VER.	1.5	FILE NAME	CNR
APPROVAL	沈俊榮	CONFIRM	許志誠	DESIGN	張奕鉸

CAUTIONS:

注意事項

1: To secure the switch, please use an M3 small screw on a flat surface and tighten with plane washers or spring washers to securely mount the Switch, using a maximum torque of 0.59 N·m.
請使用M3小型螺絲固定在平面上，並使用平墊圈或者彈性墊圈以便安全的鎖固開關，鎖固扭力請勿超過0.59 Nm.

2: To ensure the best performance of the switch, when handling/installing the switch, please do not apply uneven pressure to the direction indicated by the arrow in Figure 1. Any uneven pressure or pressure direction other than the operating direction might be harmful or damage the switch performance.

為確保開關正常運作，安裝及取用開關時，請勿直接施加壓力在圖-1中箭頭所指示的方向。如圖所示，任何不對稱的壓力或作動方向以外的壓力都不適用在開關按柄上。

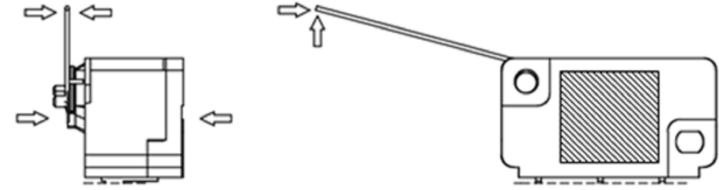


Figure-1

△											
	DATE	APPROVAL	DESIGN	ENGINEERING CHANGE DESCRIPTION		VIEW		SIZE	A4	UNIT	mm
新巨企業股份有限公司				ZIPPY TECHNOLOGY CORP.		DATE	2019.12.16	VER.	1.0	FILE NAME	CNR-CAUTIONS
						APPROVAL	沈俊榮	CONFIRM	張奕鉸	DESIGN	許志誠