



**APPROVED DATA SHEET**

**Model: 1001610131(SW2-C1H1-0001-FA001-Z)**

**ISSUED DATE: 2020.01.08**  
**APPROVED NO. 1001610131.C**  
**PAGE: 1/5**

The undersigned guarantee of the model switches is meets the following specifications.

**1.Operation Characteristics**

Operating Force (OF)	:	Max. 300 gf
Releasing Force (RF)	:	Min. 70 gf
Free Position ( FP )	:	Max. 9.9 mm
Operating Position (OP)	:	8.4±0.3 mm
Movement Differential (MD)	:	Max. 0.2 mm
Over-travel (OT)	:	Min. 0.4 mm
Pre-travel (PT)	:	Max. 1.2 mm

**2. Specifications**

Initial Contact Resistance	:	Max. 370mΩ. ( Measured by ohm meter –Open Voltage<1VDC, Driver current -100mA ) Before measure the switch contact resistance, please press the switch three times on and off.
Initial Dielectric Strength	:	500VAC(50-60HZ)/minute between contacts. 1,500VAC(50-60HZ)/minute between Live-parts and dead metal parts.
Insulation Resistance	:	Min. 100MΩ ( 500 VDC/ minute ) between Live-parts and dead metal parts.
Circuit Arrangement	:	SPST ( Single pole single throw )
Rating	:	0.1A 125/250VAC
Service Life	:	Min. 10,000 operations.
Rating Load	:	Resistive (R) Load.
Operating Frequency	:	10~30 operations per minute.
Safety Certificate	:	UL, cUL, ENEC

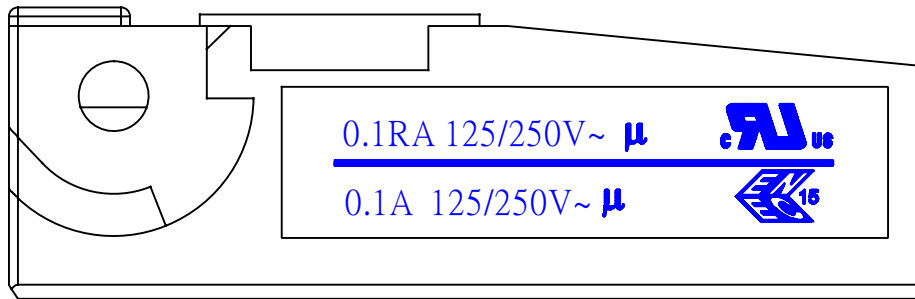
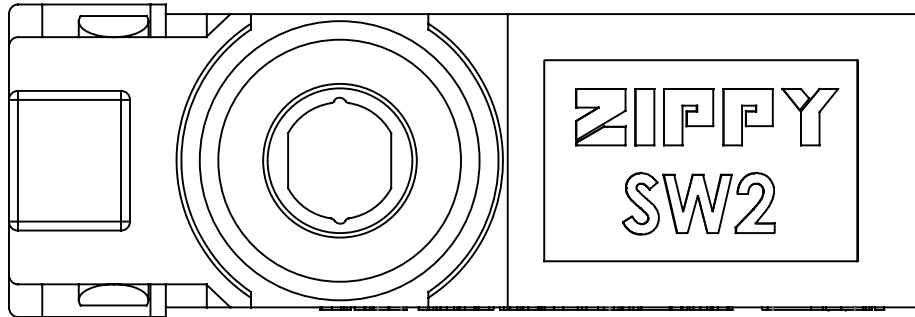
Operating application of the switch : Set the switch pushing distance from 60% to 90% of the specified OT value.

International Protection Code : IP67

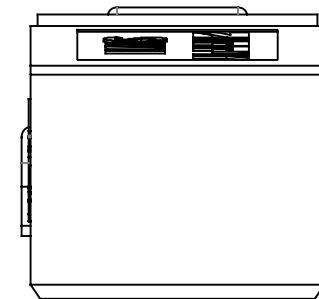




# Marking drawing



A



B

Marking will be random on side A or side B  
 Markings are either by printing or molding  
 Appearance according to dimensions drawing.

VIEW		SIZE	A4	UNIT	mm
DATE	JUL-19-2018	VER.	1.3	FILE NAME	SW2-C1-u
APPROVAL	沈俊榮	CONFIRM	許志誠	DESIGN	陳立業

## CAUTIONS:

### 注意事項

1: Wires should not be dragged.

使用帶線型式時，請注意避免拉扯線材。

2: To secure the switch, please use an M2.3 small screw on a flat surface and tighten with plane washers or spring washers to securely mount the Switch, using a maximum torque of 0.26 N·m.

若使用定位孔型式，請使用M2.3小型螺絲固定在平面上，並使用平墊圈或者彈性墊圈以便安全的鎖固開關，鎖固扭力請勿超過0.26 N·m.

3: Do not handle the Switch in a way that may cause damage to the sealed rubber & switch sealing.

使用開關時，請勿損壞開關防水矽膠罩及開關防水膠。

4: To ensure the best performance of the switch, when handling/installing the switch, please do not apply uneven pressure to the direction indicated by the arrow in (Figure -1). Any uneven pressure or pressure direction other than the operating direction might be harmful or damage the switch performance.

為確保開關正常運作，安裝及取用開關時，請勿直接施加壓力在(圖-1)中箭頭所指示的方向。如圖所示，任何不對稱的壓力或作動方向以外的壓力都不適用在開關按柄上。

5: Do not exceed the end position (EP) and over travel (OT). This could cause operation failure. (Figure-2)

圖示設計按壓位置，請勿超過開關下死點及超出行程，以避免開關失效。(圖-2)

6: Avoid applying any grease/oil and chemicals on the switch rubber.

請避免沾附任何油脂或者化學物質在開關的矽膠防水罩上。

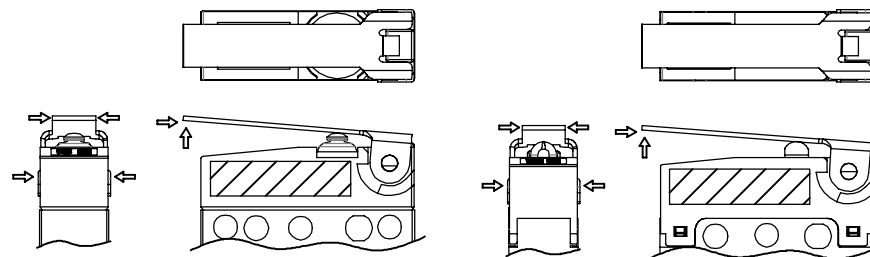


Figure-1

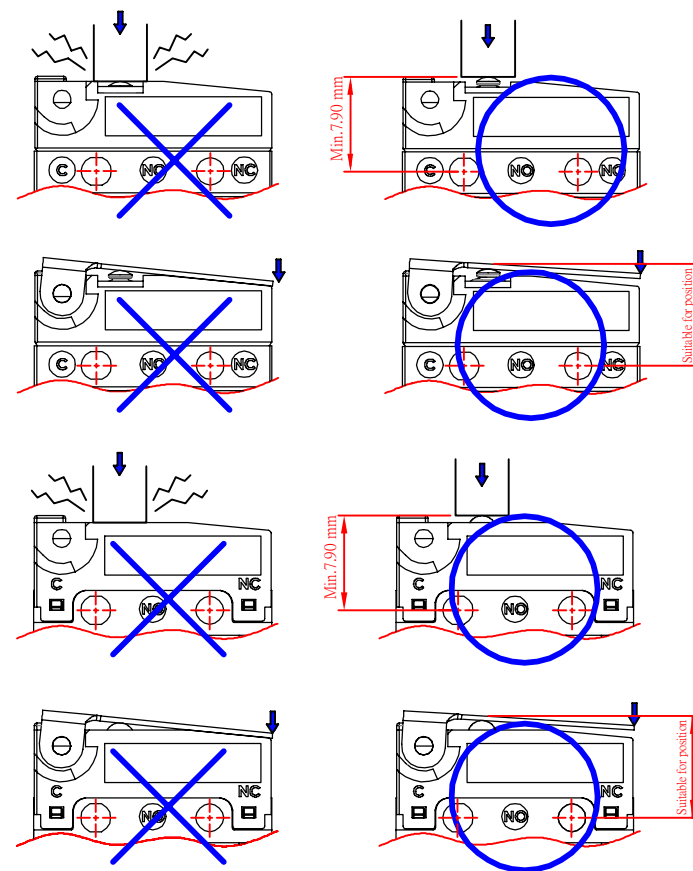


Figure-2

VIEW		SIZE	A4	UNIT	mm
DATE	2019.12.17	VER.	1.0	FILE NAME	SW2-CAUTIONS
APPROVAL	沈俊榮	CONFIRM	許志誠	DESIGN	陳立業