



APPROVED DATA SHEET

Model: 1001610312(SW2-10S1-00G0-Z)

ISSUED DATE: 2020.01.07
APPROVED NO. 1001610312.B
PAGE: 1/5

The undersigned guarantee of the model switches is meets the following specifications.

1. Operation Characteristics

| | | |
|----------------------------|---|-------------|
| Operating Force (OF) | : | Max. 203 gf |
| Releasing Force (RF) | : | Min. 50 gf |
| Free Position (FP) | : | Max. 9.9 mm |
| Operating Position (OP) | : | 8.4±0.3 mm |
| Movement Differential (MD) | : | Max. 0.2 mm |
| Over-travel (OT) | : | Min. 0.4 mm |
| Pre-travel (PT) | : | Max. 1.2 mm |

2. Specifications

| | | |
|-------------------------------------|---|---|
| Initial Contact Resistance | : | Max. 300mΩ. (Measured by ohm meter –Open Voltage<1VDC, Driver current -100mA) Before measure the switch contact resistance, please press the switch three times on and off. |
| Initial Dielectric Strength | : | 500VAC(50-60HZ)/minute between contacts. 1,500VAC(50-60HZ)/minute between Live-parts and dead metal parts. |
| Insulation Resistance | : | Min. 100MΩ (500 VDC/ minute) between Live-parts and dead metal parts. |
| Circuit Arrangement | : | SPDT (Single pole double throw) |
| Rating | : | 10A 125/250VAC ; 10(2)A 125/250VAC 5A 30VDC (Resistive Load) |
| Service Life | : | Min. 10,000 operations. |
| Rating Load | : | Inductive (GP) Load; Resistive (R) Load R-M(Resistive-motor) Load |
| Operating Frequency | : | 10~30 operations per minute. |
| Safety Certificate | : | UL, cUL, ENEC |
| Mechanical Service Life | : | Press the switch to operation position - Min. 2,000,000 operations. |
| Operating Frequency | : | Max. 120 operations per minute. |
| Operating application of the switch | : | Set the switch pushing distance from 60% to 90% of the specified OT value. |



ZIPPY TECHNOLOGY CORP.



10F, No.50, MinQuan Road, Xindian District,
New Taipei City, Taiwan, R.O.C

TEL: 886-2-2918-8512 / 886-2-2918-0603
FAX: 886-2-2915-5765 / 886-22916-0215
[Http://www.zippy.com.tw](http://www.zippy.com.tw)

APPROVED DATA SHEET

Model: 1001610312(SW2-10S1-00G0-Z)

ISSUED DATE: 2020.01.07
APPROVED NO. 1001610312.B
PAGE: 2/5

3. Environments

- Operating Temperature : -40°C ~ 125°C (with no icing)
- Vibration Resistance : 10~55Hz, displacement 0.75mm(p-p)
- Shock Resistance : Destruction: 1,000 m/s² {approx. 100G} max.
Malfunction: 300 m/s² {approx. 30G} max.

(For the pin plunger models, the vibration & shock condition apply for use at the free position and total travel position)
(For the lever models, the vibration & shock condition apply for use at the total travel position)

- Soldering by hand : 350°C maximum within 3 seconds (300°C maximum within 5 seconds).
- Soldering bath : 260°C maximum within 5 seconds.

ZIPPY TECHNOLOGY CORP.

簡素玲

PREPARED

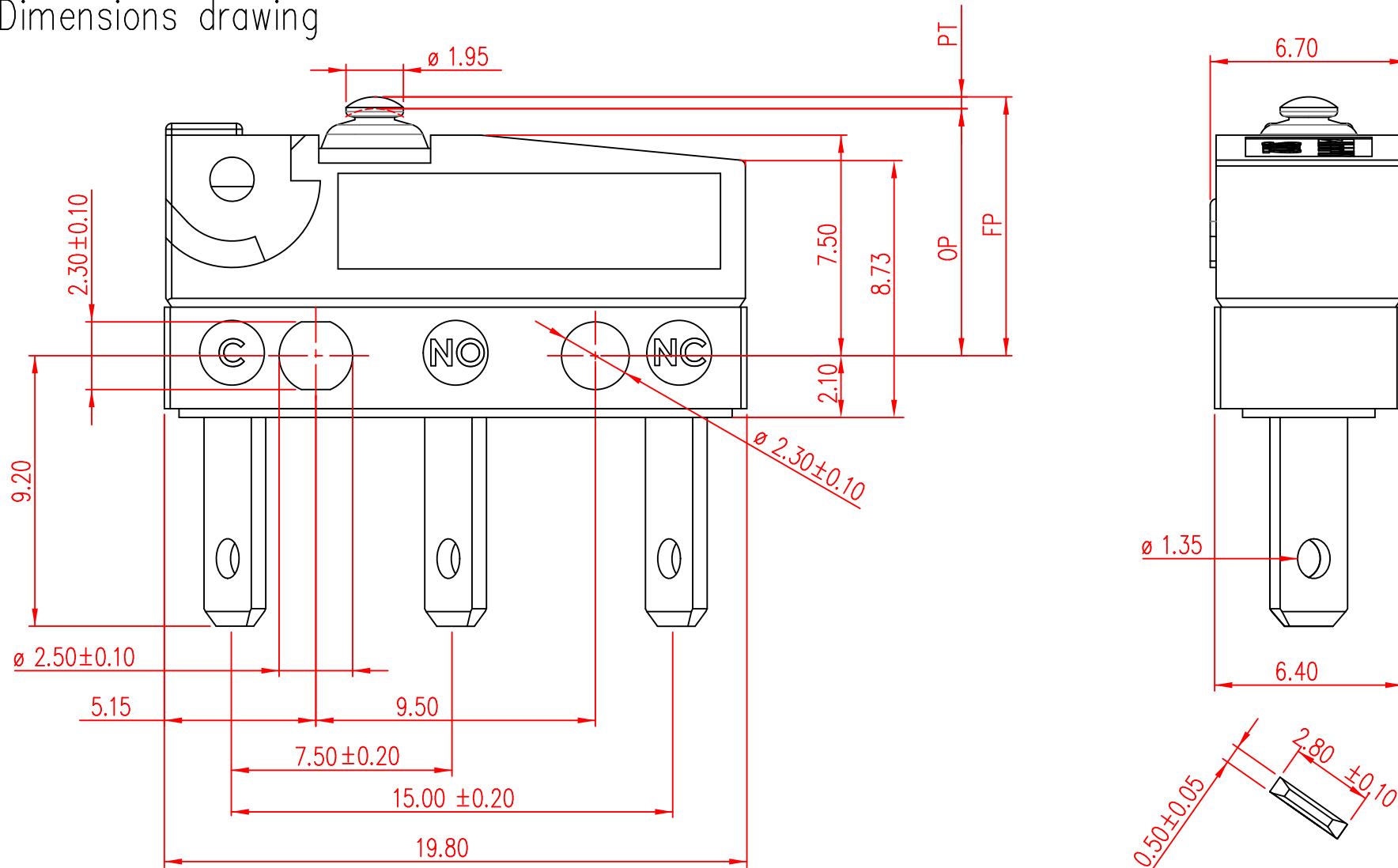
陳立業

CHECHED

沈俊榮

APPROVED

Dimensions drawing



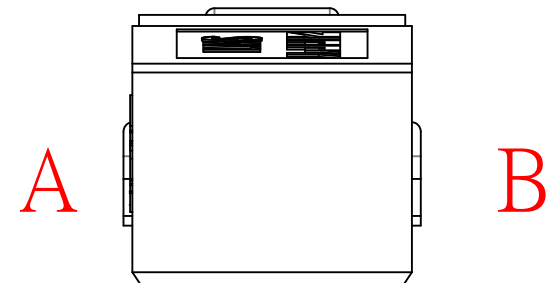
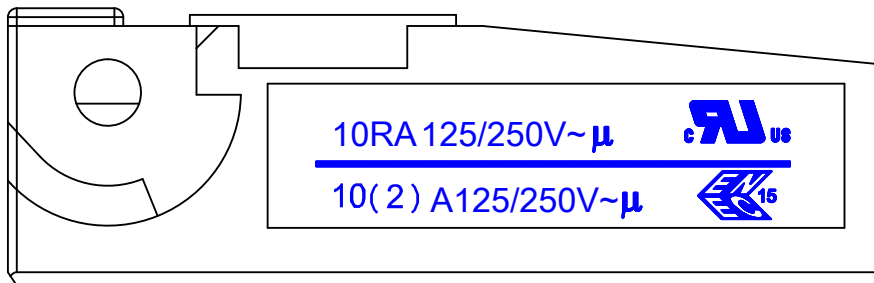
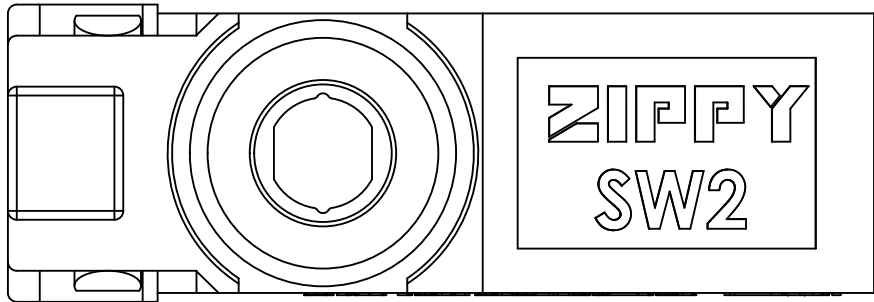
| Tolerance | |
|-----------|-------|
| X.X | ± 0.2 |
| XX.X | ± 0.4 |

| | | | | | |
|----------|-------------|---------|-----|-----------|-----------|
| VIEW | | SIZE | A4 | UNIT | mm |
| DATE | JUL-05-2016 | VER. | 1.0 | FILE NAME | SW2-100G0 |
| APPROVAL | 沈俊榮 | CONFIRM | 張立人 | DESIGN | 陳立業 |

新巨企業股份有限公司

ZIPPY TECHNOLOGY CORP.

Marking drawing



Marking will be random on side A or side B
 Markings are either by printing or molding
 Appearance according to dimensions drawing.

| | | | | | |
|----------|-------------|---------|-----|-----------|----------|
| VIEW | | SIZE | A4 | UNIT | mm |
| DATE | AUG-31-2015 | VER. | 1.0 | FILE NAME | SW2-10-u |
| APPROVAL | 沈俊榮 | CONFIRM | 張立人 | DESIGN | 陳立業 |

CAUTIONS:

注意事項

1: Wires should not be dragged.

使用帶線型式時，請注意避免拉扯線材。

2: To secure the switch, please use an M2.3 small screw on a flat surface and tighten with plane washers or spring washers to securely mount the Switch, using a maximum torque of 0.26 N·m.

若使用定位孔型式，請使用M2.3小型螺絲固定在平面上，並使用平墊圈或者彈性墊圈以便安全的鎖固開關，鎖固扭力請勿超過0.26 N·m.

3: Do not handle the Switch in a way that may cause damage to the sealed rubber & switch sealing.

使用開關時，請勿損壞開關防水矽膠罩及開關防水膠。

4: To ensure the best performance of the switch, when handling/installing the switch, please do not apply uneven pressure to the direction indicated by the arrow in (Figure -1). Any uneven pressure or pressure direction other than the operating direction might be harmful or damage the switch performance.

為確保開關正常運作，安裝及取用開關時，請勿直接施加壓力在(圖-1)中箭頭所指示的方向。如圖所示，任何不對稱的壓力或作動方向以外的壓力都不適用在開關按柄上。

5: Do not exceed the end position (EP) and over travel (OT). This could cause operation failure. (Figure-2)

圖示設計按壓位置，請勿超過開關下死點及超出行程，以避免開關失效。(圖-2)

6: Avoid applying any grease/oil and chemicals on the switch rubber.

請避免沾附任何油脂或者化學物質在開關的矽膠防水罩上。

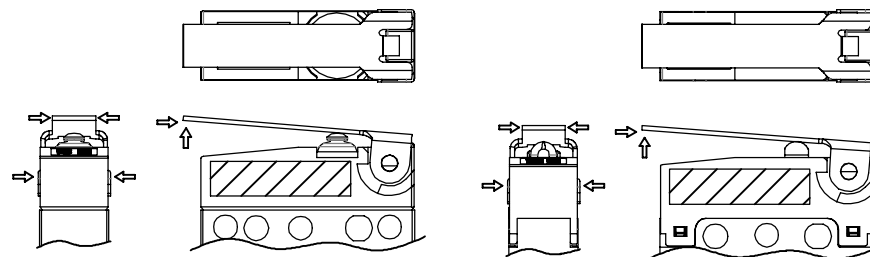


Figure-1

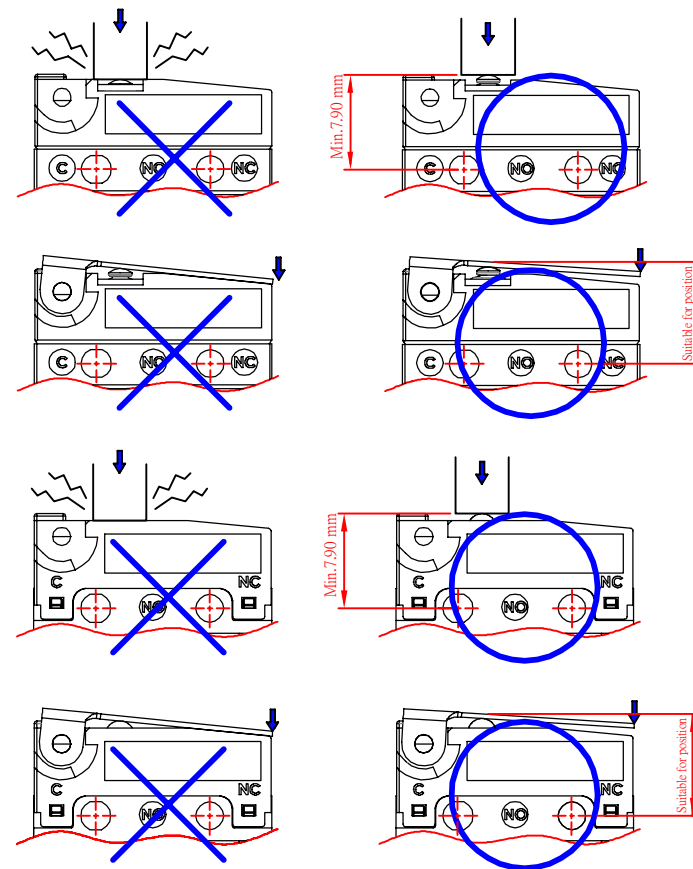


Figure-2

| VIEW | | SIZE | A4 | UNIT | mm |
|----------|------------|---------|-----|-----------|--------------|
| DATE | 2019.12.17 | VER. | 1.0 | FILE NAME | SW2-CAUTIONS |
| APPROVAL | 沈俊榮 | CONFIRM | 許志誠 | DESIGN | 陳立業 |