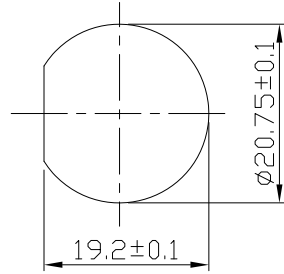


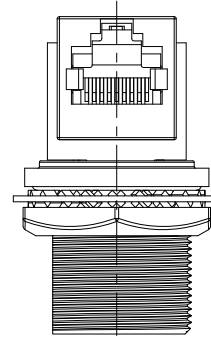
Notes: (Unless Otherwise Specified)

1. Waterproof Rate: IP68.
2. Recommend Panel Thickness: 0.8 to 5.0 mm.
3. Recommend Torque: 19~20 Kgf-cm.
4. Mating Cap P/N: GT2C215012/GT1C5331X2.
5. RoHS Compliant.

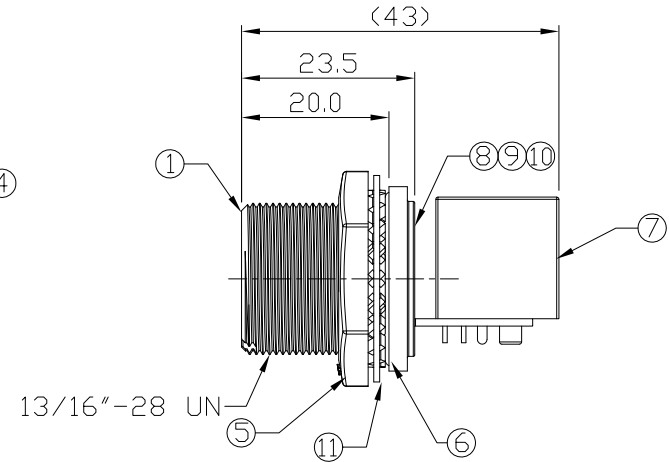
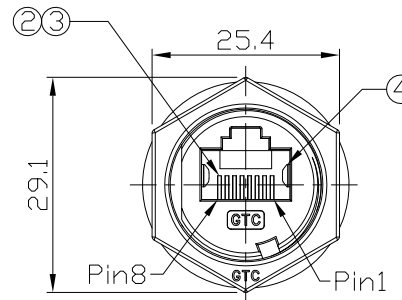
REV	ECN#	DESCRIPTION OF REVISION	DRAW BY DATE	CHECK BY DATE	APPROVE BY DATE
01			Hank 01/24/19	Lucas 01/24/19	Ray 01/24/19



Recommend
Panel Cut-Out



GTC
DOC.CENTER.ISSUE
JAN.29.2019
ONLY FOR
RELEASE



Item	Part Name	Material / Finish	Q'ty
11	Washer	Stainless Finish: —	1
10	Glue	Epoxy Color: Black	
9	PCB	FR-4 Color: -	1
8	Holder	Silicone Color: Black	1
7	RJ45 Receptacle	Shell: Copper Alloy; Finish: Ni Plated Housing: Thermoplastic; Color: Black Contacts: Copper Alloy; Finish: Au Plated	1
6	O-Ring	Silicone Color: Red	1
5	Hex Nut	Zn Alloy Finish: Ni Plated	1
4	EMI Shielded Plate	Copper Alloy Finish: Ni Plated	2
3	Holder	Thermoplastic Color: Black	1
2	RJ45 Receptacle	Housing: Thermoplastic; Color: Gray Contacts: Copper Alloy; Finish: Au Plated	1
1	Housing	Zn Alloy Finish: Ni Plated	1

TITLE						DRAWING NUMBER			REV.
RJ45 Metal C3 Shielded Panel Jack Lock With Coupler 90°						GT225500-40			01
THIRD ANGLE PROJECTION	SIZE	SCALE	DRAW / DATE	CHECK / DATE	APPROVE / DATE	TOLERANCES	UNIT	SHEET	
	B	1:1	Hank 01/24/19	Lucas 01/24/19	Ray 01/24/19	X.X ± 0.5 X.XX ± 0.2	mm	1/1	
						X.XXX ± 0.05 ANGLES ± 1°			

GT Contact CO.,LTD

NOTICE OF PROPRIETARY PROPERTY:
THE INFORMATION CONTAINED HEREIN IS THE PROPRIETARY PROPERTY OF GT Contact CO.,LTD THE POSSESSOR AGREES TO THE FOLLOWING:
(i) TO MAINTAIN THIS DOCUMENT IN CONFIDENCE
(ii) NOT TO REPRODUCE OR COPY IT
(iii) NOT TO REVEAL OR PUBLISH IT IN WHOLE OR PART
(iv) ALL RIGHTS RESERVED