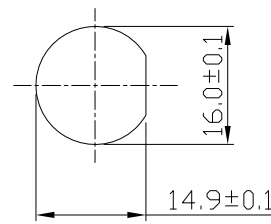
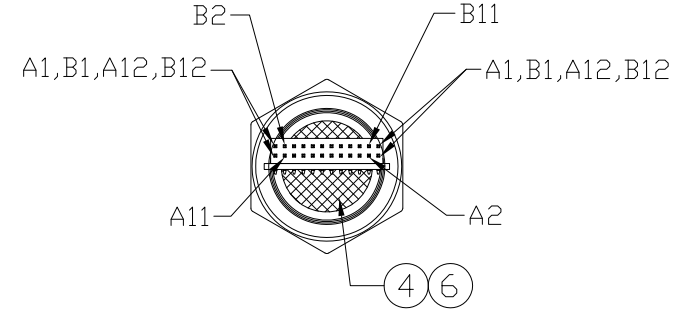
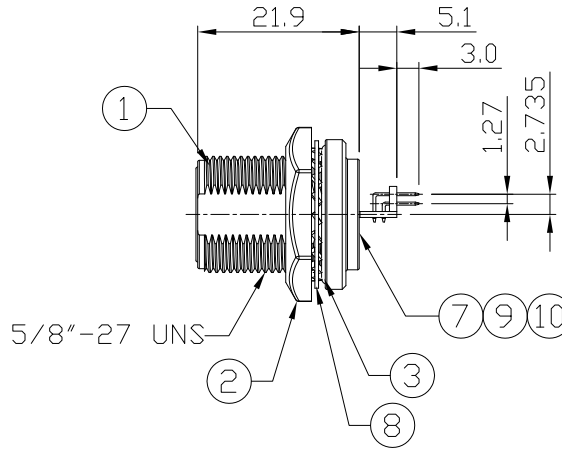
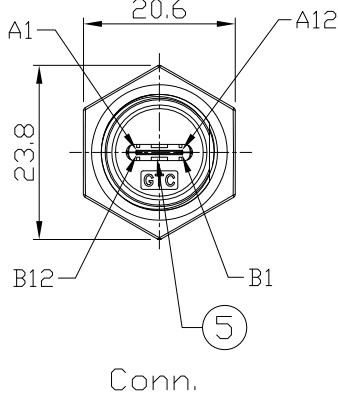


Notes: (Unless Otherwise Specified)

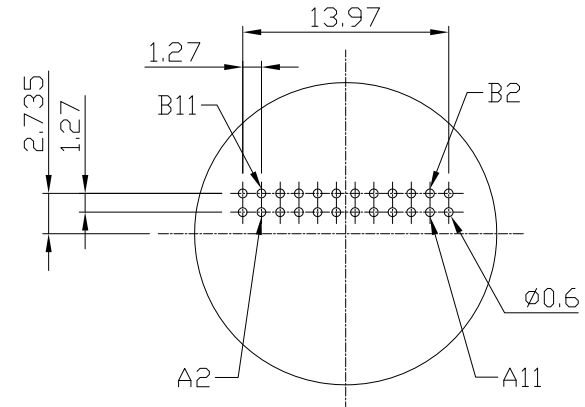
- 1. Waterproof Rate: IP68.
- 2. Recommend Panel Thickness: 0.8 to 6.0 mm.
- 3. Recommend Torque: 19~20 Kgf-cm.
- 4. Mating Cap P/N: GT1C5231X2/GT2C123012.
- 5. RoHS Compliant.
- 6. Type C AB面接點需跟圖面一致.
- 7. UL Certitied #E364108.

REV	ECN#	DESCRIPTION OF REVISION	DRAW BY DATE	CHECK BY DATE	APPROVE BY DATE
02	ECN-190629	Increase drawing requirements	Lucas 07/12/19	Lucas 07/12/19	Ray 07/12/19

GTC
DOC.CENTER.ISSUE
JUL.16.2019
ONLY FOR
RELEASE



Front View
Recommend
Panel Cut-Out



Recommend PCB Layout
(Scale 2/1)

10	Pin Header	Housing: Thermoplastic, Color: Black Contacts: Copper Alloy, Finish: Au Plated	1
9	PCB	FR-4 Color: -	1
8	Metal Washer	SUS Finish:-	1
7	EMI Shielded Plate	Copper Alloy Finish: Ni Plated	1
6	Glue	Epoxy Color: Black	
5	USB Type C 3.1	Housing: Thermoplastic, Color: Black Contacts: Copper Alloy, Finish: Au 30u' Plated Shell: Stainless Steel, Finish: Au Plated	1
4	Hold	Silicone Color: Black	1
3	O-Ring	Silicone Color: Red	1
2	Hex Nut	Zn Alloy Finish: Ni Plated	1
1	Housing	Zn Alloy Finish: Ni Plated	1
Item	Part Name	Material / Finish	Q'ty

TITLE						DRAWING NUMBER			REV.	
USB 3.1 Type C Metal C2 Panel Jack Screw Dip						GT21C300-10			02	
THIRD ANGLE PROJECTION	SIZE	SCALE	DRAW / DATE	CHECK / DATE	APPROVE / DATE	X.X ± 0.5 X.XX ± 0.2	X.XXX ± 0.05 ANGLES ± 1°	mm	1/1	
						TOLERANCES			SHEET	

GT Contact CO.,LTD

NOTICE OF PROPRIETARY PROPERTY:

THE INFORMATION CONTAINED HEREIN IS THE PROPRIETARY PROPERTY OF GT Contact CO.,LTD THE POSSESSOR AGREES TO THE FOLLOWING

- (i) TO MAINTAIN THIS DOCUMENT IN CONFIDENCE
- (ii) NOT TO REPRODUCE OR COPY IT
- (iii) NOT TO REVEAL OR PUBLISH IT IN WHOLE OR PART
- (iv) ALL RIGHTS RESERVED