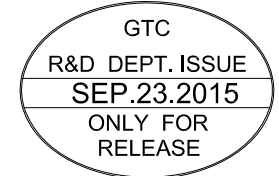
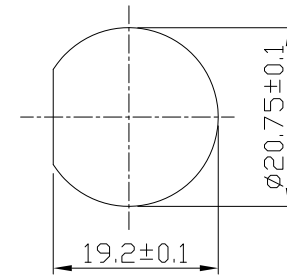
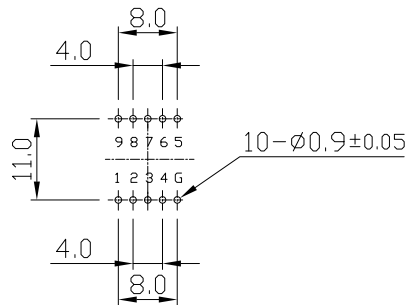
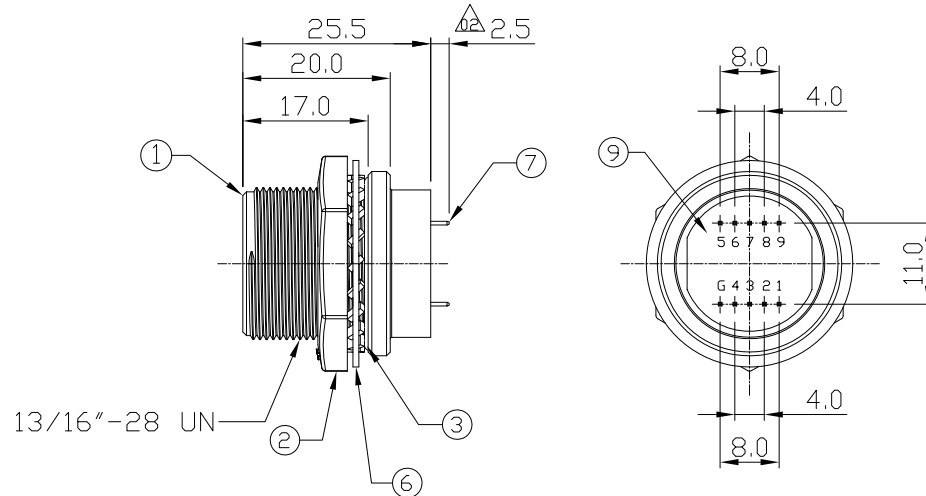
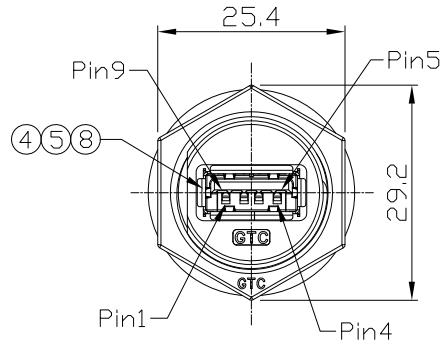


Notes: (Unless Otherwise Specified)

1. Waterproof Rate: IP68.
2. Recommend Panel Thickness: 0.8 to 6.0 mm.
3. Recommend Torque: 19~20 Kgf-cm.
4. Mating Cap P/N: GT2C215X12/GT1C5331X2.
5. RoHS Compliant.

| REV | ECN# | DESCRIPTION OF REVISION | DRAW BY DATE | CHECK BY DATE | APPROVE BY DATE |
|-----|------------|-------------------------|----------------|----------------|-----------------|
| 02 | ECN-151121 | Modify Housing | Lucas 12/03/15 | Lucas 12/03/15 | Ray 12/03/15 |



Recommend PCB Layout

Recommend Panel Cut-Out

| Item | Part Name | Material / Finish | Qty |
|------|----------------------|---|-----|
| 9 | Glue | Epoxy Color: Black | |
| 8 | PCB | FR-4 Color: Green | 1 |
| 7 | Pin Header | Housing: Thermoplastic, Color: Black Contacts: Copper Alloy, Finish: Au Plated | 2 |
| 6 | Metal Washer | SUS | 1 |
| 5 | EMI Shielded Plate | Copper Finish: Ni Plated | 1 |
| 4 | USB-A 3.0 Receptacle | Housing: Thermoplastic, Color: Blue Contacts: Copper Alloy, Finish: Au Plated Shell: Stainless, Finish: Non | 1 |
| 3 | O-Ring | Silicone Color: Red | 1 |
| 2 | Hex Nut | Zn Alloy Finish: Ni Plated | 1 |
| 1 | Housing | Zn Alloy Finish: Ni Plated | 1 |

| TITLE | | | | | | DRAWING NUMBER | | | REV. | |
|---|------|-------|----------------|----------------|----------------|-------------------------|-----------------------------|------|-------|--|
| USB-A 3.0 Metal C3 Panel Jack Screw Dip | | | | | | GT218300-10 | | | 02 | |
| THIRD ANGLE PROJECTION | SIZE | SCALE | DRAW / DATE | CHECK / DATE | APPROVE / DATE | TOLERANCES | | UNIT | SHEET | |
| | B | 1:1 | Lucas 09/07/15 | Lucas 09/07/15 | Ray 09/07/15 | X.X ± 0.5 X.XX ± 0.2 | X.XXX ± 0.05 ANGLES ± 1° | mm | 1/1 | |

GT Contact CO.,LTD

NOTICE OF PROPRIETARY PROPERTY:
THE INFORMATION CONTAINED HEREIN IS THE PROPRIETARY PROPERTY OF GT Contact CO.,LTD THE POSSESSOR AGREES TO THE FOLLOWING:
(A) TO MAINTAIN THIS DOCUMENT IN CONFIDENCE
(B) NOT TO REPRODUCE OR COPY IT
(C) NOT TO REVEAL OR PUBLISH IT IN WHOLE OR PART
(D) ALL RIGHTS RESERVED