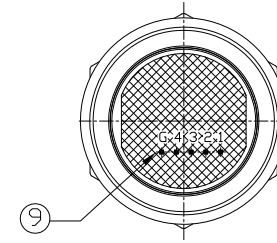
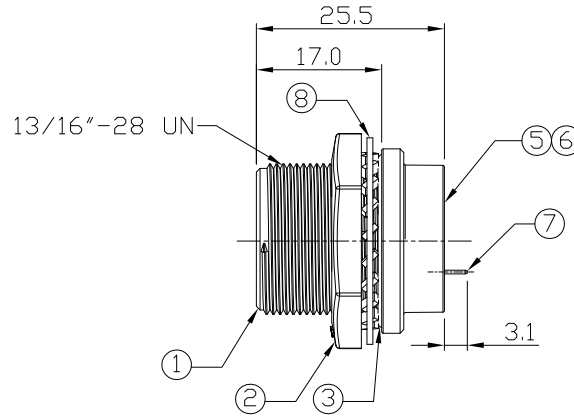
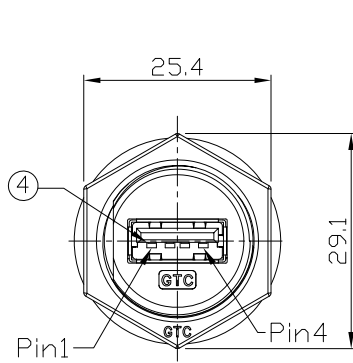


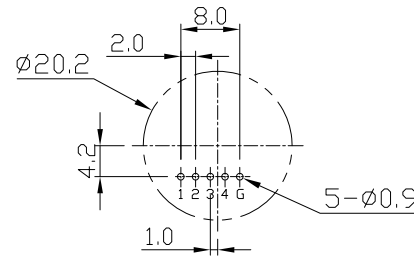
Notes: (Unless Otherwise Specified)

1. Waterproof Rate : IP68.
2. Recommend Panel Thickness : 0.8 to 6.0 mm.
3. Recommend Torque: 19~20 Kgf-cm.
4. Mating Cap P/N: GT2C2150X2/GT1C5331X2.
5. RoHS Compliant.

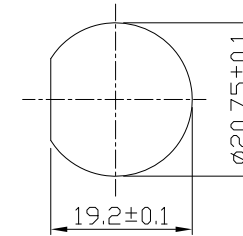
REV	ECN#	DESCRIPTION OF REVISION	DRAW BY DATE	CHECK BY DATE	APPROVE BY DATE
A1	ECN-151214	Modify PCB Layout	Lucas 12/23/15	Lucas 12/23/15	Ray 12/23/15



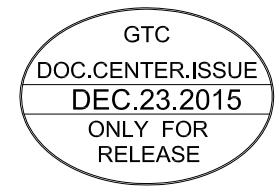
9	Glue	Epoxy Color: Black	
8	Metal Washer	SUS Finish: -	1
7	Pin Header	Housing: Thermoplastic, Color: Black Contacts: Copper Alloy, Finish: Gold Flash	1
6	EMI Shielded Plate	Copper Finish: Ni Plated	1
5	PCB	FR-4 Color: Green	1
4	USB-A Receptacle	Housing: Thermoplastic, Color: Black Contacts: Copper Alloy, Finish: Au Plated Shell: Copper Alloy, Finish: Ni Plated	1
3	O-Ring	Silicone Color: Red	1
2	Hex Nut	Zn Alloy Finish: Ni Plated	1
1	Housing	Zn Alloy Finish: Ni Plated	1
Item	Part Name	Material / Finish	Q'ty



Recommend PCB Layout



Recommend
Panel Cut-Out



TITLE						DRAWING NUMBER			REV.
USB-A Metal C3 Panel Jack Screw Dip						GT216300-10			A1
THIRD ANGLE PROJECTION	SIZE	SCALE	DRAW / DATE	CHECK / DATE	APPROVE / DATE	TOLERANCES		SHEET	
	B	1:1	Joyce 08/25/14	Lucas 08/25/14	Ray 08/25/14	X.X ± 0.5 X.XX ± 0.2	X.XXX ± 0.05 ANGLES ± 1°	mm 1/1	

GT Contact CO.,LTD

NOTICE OF PROPRIETARY PROPERTY:
THE INFORMATION CONTAINED HEREIN IS THE PROPRIETARY PROPERTY OF GT Contact CO.,LTD THE POSSESSOR AGREES TO THE FOLLOWING:
(a) TO MAINTAIN THIS DOCUMENT IN CONFIDENCE
(b) NOT TO REPRODUCE OR COPY IT
(c) NOT TO REVEAL OR PUBLISH IT IN WHOLE OR PART
(d) ALL RIGHTS RESERVED