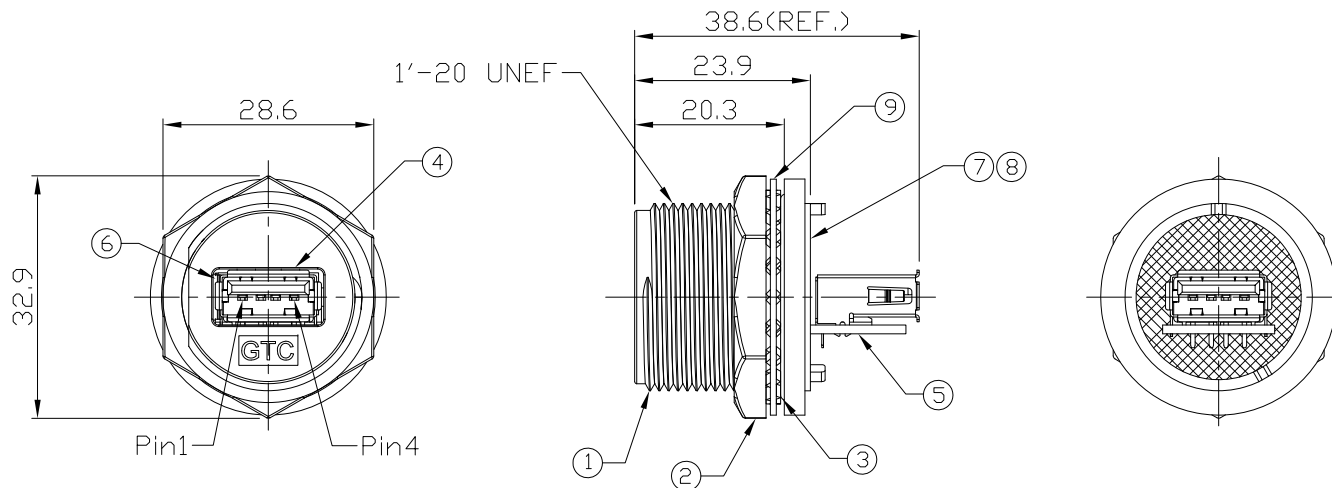


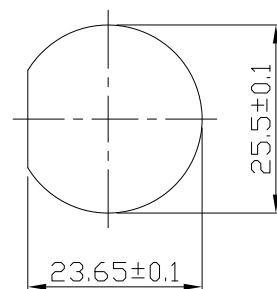
Notes: (Unless Otherwise Specified)

1. Waterproof Rate: IP68.
2. Recommend Panel Thickness: 0.8 to 8.0 mm.
3. Recommend Torque: 19~20 Kgf-cm.
4. Mating Cap P/N: GT1C543122.
5. RoHS Compliant.

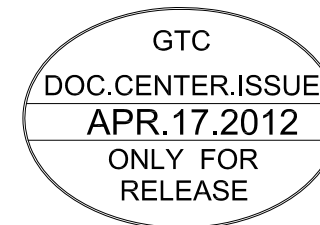
REV	ECN#	DESCRIPTION OF REVISION	DRAW BY DATE	CHECK BY DATE	APPROVE BY DATE
A3	ECN-120313	Add Metal Washer , Marked $\triangle A3$	Joyce 04/09/12	Lucas 04/09/12	Ray 04/09/12



9	Metal Washer	Stainless Finish: —	1	$\triangle A3$
8	Glue	Epoxy Color: Black	1	
7	Holder	Thermoplastic Color: Black	1	
6	EMI Shielded Plate	Copper Alloy Finish: Ni Plated	1	
5	PCB	FR-4 Color: —	1	
4	USB-A Receptacle	Housing: Thermoplastic, Color: Black	2	
4		Contacts: Copper Alloy, Finish: Au Plated		
4		Shell: Copper Alloy, Finish: Ni Plated		
3	D-Ring	Silicone Color: Red	1	
2	Hex Nut	Zn Alloy Finish: Ni Plated	1	
1	Housing	Zn Alloy Finish: Ni Plated	1	
Item	Part Name	Material / Finish	Q'ty	



Recommend
Panel Cut-Out



GT Contact CO.,LTD

NOTICE OF PROPRIETARY PROPERTY:

THE INFORMATION CONTAINED HEREIN IS THE PROPRIETARY PROPERTY OF GT Contact CO.,LTD THE POSSESSOR AGREES TO THE FOLLOWING:
 (i) TO MAINTAIN THIS DOCUMENT IN CONFIDENCE
 (ii) NOT TO REPRODUCE OR COPY IT
 (iii) NOT TO REVEAL OR PUBLISH IT IN WHOLE OR PART
 (iv) ALL RIGHTS RESERVED

TITLE						DRAWING NUMBER			REV.
USB-A Metal C4 Panel Jack Screw						GT211300-30			A3
	B	1:1	Edwin 12/10/09	Ray 12/10/09	Ray 12/10/09	X.X ± 0.5 X.XX ± 0.2	X.XXX ± 0.05 ANGLES ± 1°	mm	1/1
THIRD ANGLE PROJECTION	SIZE	SCALE	DRAW / DATE	CHECK / DATE	APPROVE / DATE	TOLERANCES		UNIT	SHEET