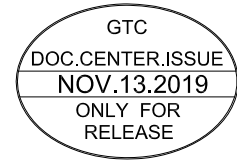
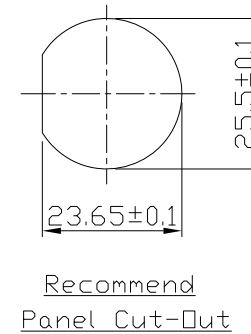
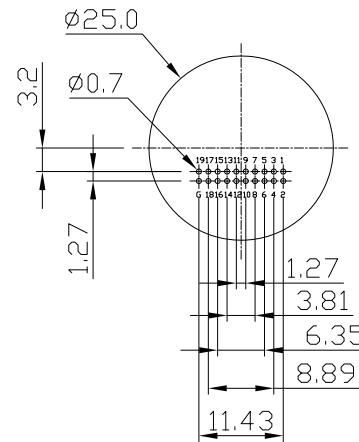
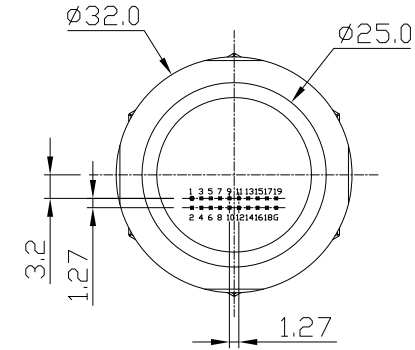
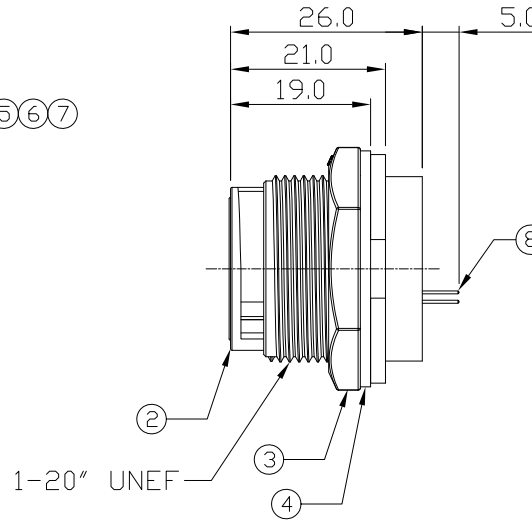
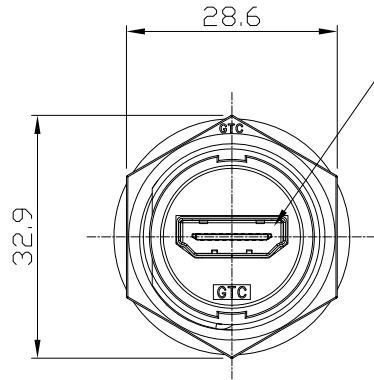


Notes: (Unless Otherwise Specified)

1. Waterproof Rate: IP67.
2. Recommend Panel Thickness: 0.8 to 6.0 mm.
3. Recommend Torque: 19~20 Kgf-cm.
4. Mating Cap P/N: GT1C1110X2.
5. RoHS Compliant.

| REV | ECN#       | DESCRIPTION OF REVISION   | DRAW BY DATE     | CHECK BY DATE  | APPROVE BY DATE |
|-----|------------|---|------------------|----------------|-----------------|
| 02  | ECN-191116 | Modify Notes: Add Recommend Panel Thickness , Recommend Torque , Mating Cap | Whitney 11/12/19 | Lucas 11/12/19 | Ray 11/12/19    |



Recommend PCB Layout

|      |             |   |     |
|------|-------------|---|-----|
| 8    | Pin Header  | Housing: Thermoplastic, Color: Black<br>Contacts: Copper Alloy, Finish: Au Plated   | 1   |
| 7    | Glue        | Epoxy<br>Color: Black   |     |
| 6    | Hold        | Silicone<br>Color: Black  | 1   |
| 5    | PCB         | FR-4<br>Color: Black  | 1   |
| 4    | Gasket      | Silicone<br>Color: Black  | 1   |
| 3    | Hex Nut     | Thermoplastic<br>Color: Black   | 1   |
| 2    | Housing     | Thermoplastic<br>Color: Black   | 1   |
| 1    | HDMI Female | Housing: Thermoplastic, Color: Black<br>Contacts: Copper Alloy, Finish: Au Plated<br>Shell: Copper Alloy, Finish: Ni Plated | 1   |
| Item | Part Name   | Material / Finish   | Qty |

| TITLE                                 |      |       |                |                |                | DRAWING NUMBER          |                             |      | REV.  |
|---------------------------------------|------|-------|----------------|----------------|----------------|-------------------------|-----------------------------|------|-------|
| HDMI C4 Plastic Panel Female Lock Dip |      |       |                |                |                | GT1H1200-10             |                             |      | 02    |
|                                       | B    | 1:1   | Lucas 10/12/15 | Lucas 10/12/15 | Ray 10/12/15   | X.X ± 0.5<br>X.XX ± 0.2 | X.XXX ± 0.05<br>ANGLES ± 1° | mm   | 1/1   |
| THIRD ANGLE PROJECTION                | SIZE | SCALE | DRAW / DATE    | CHECK / DATE   | APPROVE / DATE | TOLERANCES              |                             | UNIT | SHEET |

GT Contact CO.,LTD

NOTICE OF PROPRIETARY PROPERTY:  
THE INFORMATION CONTAINED HEREIN IS THE PROPRIETARY PROPERTY OF GT Contact CO.,LTD THE POSSESSOR AGREES TO THE FOLLOWING:  
(a) TO MAINTAIN THIS DOCUMENT IN CONFIDENCE  
(b) NOT TO REPRODUCE OR COPY IT  
(c) NOT TO REVEAL OR PUBLISH IT IN WHOLE OR PART  
(d) ALL RIGHTS RESERVED