

1

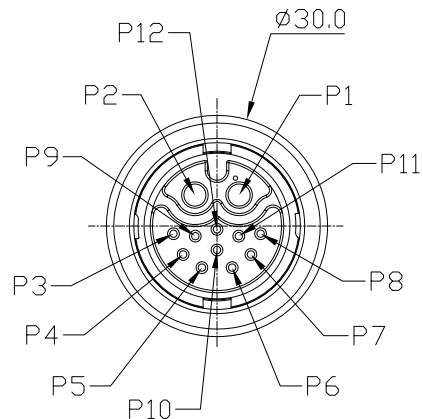
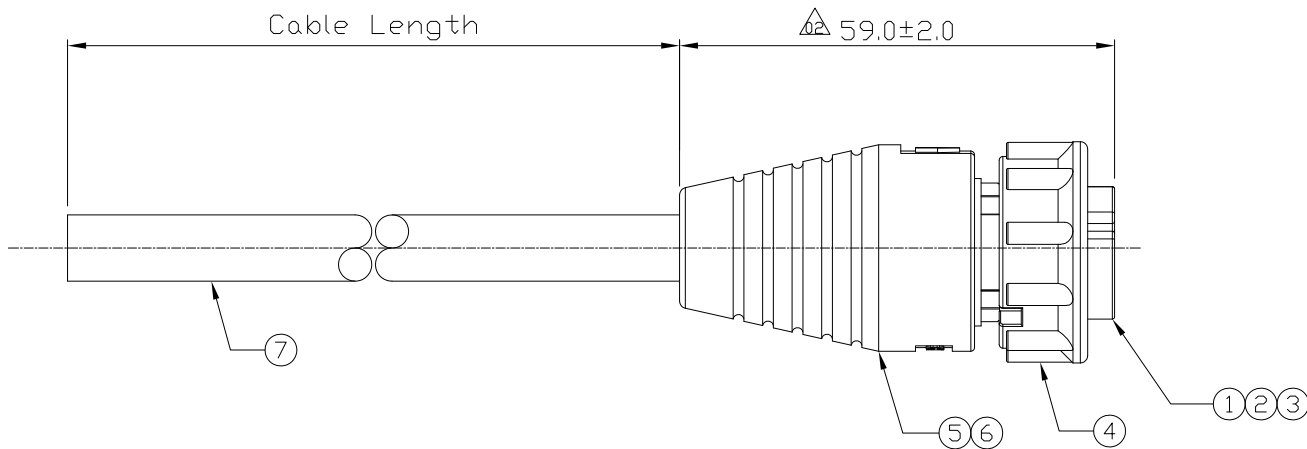
2

3

4

REV	ECN#	DESCRIPTION OF REVISION	DRAW BY DATE	CHECK BY DATE	APPROVE BY DATE
02	ECN-190410	Change The Size Of The Mold	Lucas 04/18/19	Lucas 04/18/19	Ray 04/18/19

Notes: (Unless Otherwise Specified)  
 1. Waterproof Rate : IP67.  
 2. RoHS Compliant.



Item	Part Name	Material / Finish	Q'ty
7	Cable	UL2464 (10C*24AWG+A+2C*16AWG)+AL/My+D, DD=9.0mm Color: Black	1
6	Over Mold	PVC Color: Black	1
5	Inner Mold	Thermoplastic Color: White Or Black	1
4	Lock Nut	Thermoplastic Color: Black	1
3	O-ring	Silicone Color: Red	1
2	Contacts	Copper Alloy Finish: Au Plated	12
1	Housing	Thermoplastic Color: Black	1

1	Black/White
2	Black/Red
3	Black
4	Brown
5	Red
6	Orange
7	Yellow
8	Green
9	Blue
10	Purple
11	Gray
12	White

Wiring Diagram

GTC  
 DOC.CENTER.ISSUE  
 APR.18.2019  
 ONLY FOR  
 RELEASE

GT1D4222-052A8-10(F)	10000 mm	±500
GT1D4222-052A8-09(F)	9000 mm	±450
GT1D4222-052A8-08(F)	8000 mm	±400
GT1D4222-052A8-07(F)	7000 mm	±150
GT1D4222-052A8-06(F)	6000 mm	±150
GT1D4222-052A8-05(F)	5000 mm	±150
GT1D4222-052A8-04(F)	4000 mm	±150
GT1D4222-052A8-03(F)	3000 mm	±150
GT1D4222-052A8-02(F)	2000 mm	±100
GT1D4222-052A8-01(F)	1000 mm	±50
GT1D4222-052A8-Z5(F)	500 mm	±40
GT1D4222-052A8-Z2(F)	200 mm	±10
Part No.	Cable Length	Tol.

TITLE Hybrid C4 25A+5A 2P+10P Cable End Female Lock (Code A)						DRAWING NUMBER GT1D4222-052A8-XX(F)			REV. 02	
THIRD ANGLE PROJECTION		SIZE B	SCALE 1:1	DRAW / DATE Lucas 03/04/15	CHECK / DATE Lucas 03/04/15	APPROVE / DATE Ray 03/04/15	TOLERANCES X.X ± 0.5 X.XXX ± 0.05 X.XX ± 0.2 ANGLES ± 1°		UNIT mm	SHEET 1/1

GT Contact CO.,LTD

NOTICE OF PROPRIETARY PROPERTY:  
 THE INFORMATION CONTAINED HEREIN IS THE PROPRIETARY PROPERTY OF GT Contact CO.,LTD THE POSSESSOR AGREES TO THE FOLLOWING:  
 (A) TO MAINTAIN THIS DRAWING IN CONFIDENCE  
 (B) NOT TO REPRODUCE OR COPY IT  
 (C) NOT TO REVEAL OR PUBLISH IT IN WHOLE OR PART  
 (D) ALL RIGHTS RESERVED

1

2

3

4