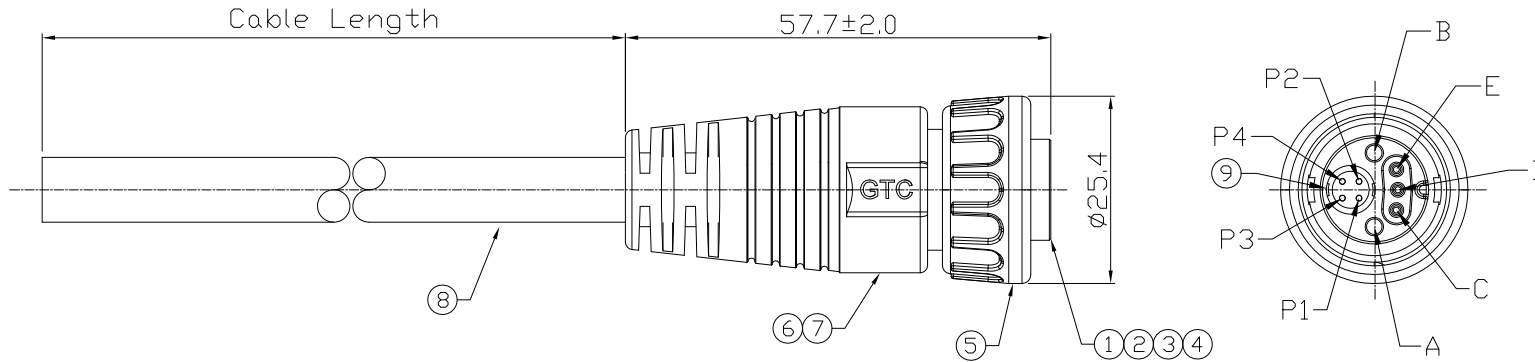


Notes: (Unless Otherwise Specified)

- 1. Waterproof Rate: IP67.
- 2. RoHS Compliant.

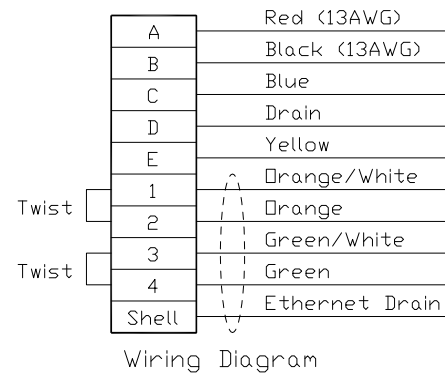
REV	ECN#	DESCRIPTION OF REVISION	DRAW BY DATE	CHECK BY DATE	APPROVE BY DATE
01			Lucas 12/19/19	Lucas 12/19/19	Ray 12/19/19



GTC
DOC.CENTER.ISSUE
DEC.23.2019
ONLY FOR
RELEASE

GT1D3329-08271-40	40000 mm	+2000
GT1D3329-08271-15	15000 mm	+750
GT1D3329-08271-10	10000 mm	+500
GT1D3329-08271-09	9000 mm	+450
GT1D3329-08271-08	8000 mm	+400
GT1D3329-08271-07	7000 mm	+150
GT1D3329-08271-06	6000 mm	+150
GT1D3329-08271-05	5000 mm	+150
GT1D3329-08271-04	4000 mm	+150
GT1D3329-08271-03	3000 mm	+100
GT1D3329-08271-02	2000 mm	+100
GT1D3329-08271-01	1000 mm	+50
GT1D3329-08271-Z9	900 mm	+50
GT1D3329-08271-Z8	800 mm	+50
GT1D3329-08271-Z7	700 mm	+50
GT1D3329-08271-Z6	600 mm	+50
GT1D3329-08271-Z5	500 mm	+50
GT1D3329-08271-Z4	400 mm	+50
GT1D3329-08271-Z3	300 mm	+25
GT1D3329-08271-Z2	200 mm	+25
Part No.	Cable Length	Tol.

Item	Part Name	Material / Finish	Q'ty
9	Shell	Copper Alloy Finish: Ni Plated	1
8	Cable	NDJUL (2C*13AWG+2C*24AWG+(2P*24AWG+AE)+AE) Color: Black, OD=8.8mm	1
7	Over Mold	PVC Color: Black	1
6	Inner Mold	Thermoplastic Color: White	1
5	Screw Nut	Thermoplastic Color: Black	1
4	Male Contacts	Copper Alloy Finish: Au Plated	4
3	Female Contacts	Beryllium Copper Finish: Au Plated	5
2	O-Ring	Silicone Color: Red	1
1	Housing	Thermoplastic Color: Black	1



TITLE						DRAWING NUMBER			REV.
Hybrid C3 15A+2A 2P+3P Female/2A 4P Male Cable End Screw With Shell						GT1D3329-08271-XX			01
THIRD ANGLE PROJECTION	SIZE	SCALE	DRAW / DATE	CHECK / DATE	APPROVE / DATE	TOLERANCES		UNIT	SHEET
	B	1:1	Lucas 12/19/19	Lucas 12/19/19	Ray 12/19/19	X.X ± 0.5 X.XX ± 0.2		mm	1/1
						X.XXX ± 0.05 ANGLES ± 1°			

GT Contact CO.,LTD

NOTICE OF PROPRIETARY PROPERTY:
THE INFORMATION CONTAINED HEREIN IS THE PROPRIETARY PROPERTY OF GT Contact CO.,LTD THE POSSESSOR AGREES TO THE FOLLOWING:
(1) TO MAINTAIN THIS DOCUMENT IN CONFIDENCE
(2) NOT TO REPRODUCE OR COPY IT
(3) NOT TO REVEAL OR PUBLISH IT IN WHOLE OR PART
(4) ALL RIGHTS RESERVED