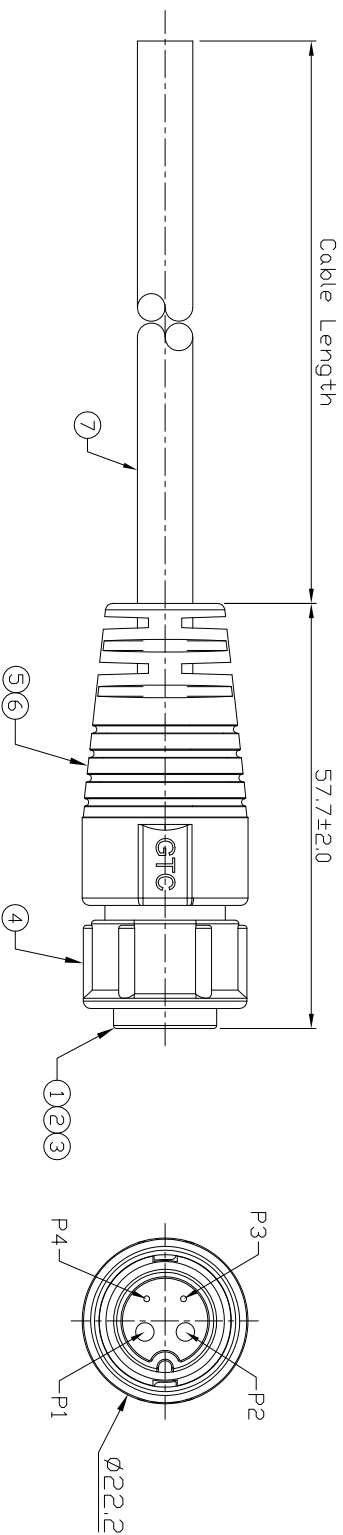
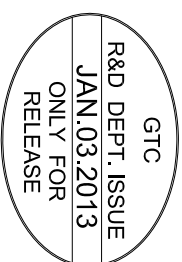


Notes: (Unless Otherwise Specified)
 1. Waterproof Rate: IP67.
 2. RoHS Compliant.

| REV | ECN# | DESCRIPTION OF REVISION | DRAW BY DATE | CHECK BY DATE | APPROVE BY DATE |
|-----|------|-------------------------|----------------|---------------|-----------------|
| 01 | | | Lucas 01/02/13 | Ray 01/02/13 | Ray 01/02/13 |



| Wiring Diagram | Color |
|----------------|-------|
| 1 | Red |
| 2 | Brown |
| 3 | Blue |
| 4 | White |

| Item | Part Name | Material / Finish | Qty |
|------|------------|---|-----|
| 7 | Cable | UL2464 2C*14AVG+2C*26AV+Al/My, DB=7.5mm Color: Black | 1 |
| 6 | Over Mold | PVC Color: Black | 1 |
| 5 | Inner Mold | Thermoplastic Color: White or Black | 1 |
| 4 | Lock Nut | Thermoplastic Color: Black | 1 |
| 3 | O-Ring | Silicone Color: Red | 1 |
| 2 | Contacts | Copper Alloy Finish: Au Plated | 4 |
| 1 | Housing | Thermoplastic Color: Black | 1 |

Hybrid C3 15A+2A 2P+2P Cable End Male Lock

| THIRD ANGLE PROJECTION | SIZE | SCALE | DRAW / DATE | CHECK / DATE | APPROVE / DATE | TOLERANCES | UNIT | SHEET |
|------------------------|------|-------|----------------|--------------|----------------|----------------------|------|-------|
| 1 | B | 1:1 | Lucas 01/02/13 | Ray 01/02/13 | Ray 01/02/13 | XX ± 0.5 ANGLES ± 1° | mm | 1/1 |

| | | |
|-------------------|--------------|------|
| GT1D3223-28221-10 | 10000 mm | ±500 |
| GT1D3223-28221-09 | 9000 mm | ±450 |
| GT1D3223-28221-08 | 8000 mm | ±400 |
| GT1D3223-28221-07 | 7000 mm | ±350 |
| GT1D3223-28221-06 | 6000 mm | ±300 |
| GT1D3223-28221-05 | 5000 mm | ±250 |
| GT1D3223-28221-04 | 4000 mm | ±200 |
| GT1D3223-28221-03 | 3000 mm | ±150 |
| GT1D3223-28221-02 | 2000 mm | ±100 |
| GT1D3223-28221-01 | 1000 mm | ±50 |
| GT1D3223-28221-Z9 | 900 mm | ±40 |
| GT1D3223-28221-Z8 | 800 mm | ±40 |
| GT1D3223-28221-Z7 | 700 mm | ±40 |
| GT1D3223-28221-Z6 | 600 mm | ±40 |
| GT1D3223-28221-Z5 | 500 mm | ±40 |
| GT1D3223-28221-Z4 | 400 mm | ±20 |
| GT1D3223-28221-Z3 | 300 mm | ±10 |
| GT1D3223-28221-Z2 | 200 mm | ±10 |
| Part No. | Cable Length | Tol. |

GT Contact CD,LTID

NOTICE OF PROPRIETARY PROPERTY
 THE INFORMATION CONTAINED HEREIN IS THE PROPRIETARY PROPERTY OF GT Contact CD,LTID. THE POSSESSOR AGREES TO MAINTAIN THE CONFIDENTIALITY OF THIS INFORMATION AND TO REVEAL OR PUBLISH IT IN WHOLE OR PART ONLY AS AUTHORIZED BY GT CONTACT CD,LTID.

A

A

B

B

C

C

D

D

1

2

3

4

1

2

3

4