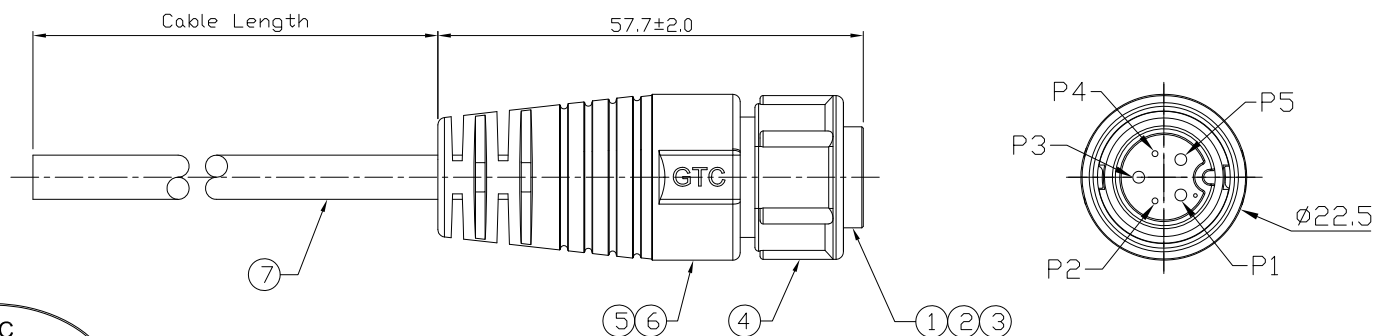


Notes: (Unless Otherwise Specified)
 1. Waterproof Rate: IP67.
 2. RoHS Compliant.

REV	ECN#	DESCRIPTION OF REVISION	DRAW BY DATE	CHECK BY DATE	APPROVE BY DATE
A0		Mass Production	Joyce 11/20/13	Lucas 11/20/13	Ray 11/20/13
A1	ECN-160302	Modify Wiring Diagram Δ 1	Joyce 03/03/16	Lucas 03/03/16	Ray 03/03/16



GT1D3223-0A327-10	10000 mm	±500
GT1D3223-0A327-09	9000 mm	±450
GT1D3223-0A327-08	8000 mm	±400
GT1D3223-0A327-07	7000 mm	±150
GT1D3223-0A327-06	6000 mm	±150
GT1D3223-0A327-05	5000 mm	±150
GT1D3223-0A327-04	4000 mm	±150
GT1D3223-0A327-03	3000 mm	±150
GT1D3223-0A327-02	2000 mm	±100
GT1D3223-0A327-01	1000 mm	±50
GT1D3223-0A327-Z9	900 mm	±40
GT1D3223-0A327-Z8	800 mm	±40
GT1D3223-0A327-Z7	700 mm	±40
GT1D3223-0A327-Z6	600 mm	±40
GT1D3223-0A327-Z5	500 mm	±40
GT1D3223-0A327-Z4	400 mm	±20
GT1D3223-0A327-Z3	300 mm	±20
GT1D3223-0A327-Z2	200 mm	±10
Part No.	Cable Length	Tol.

7	Cable	UL20549 16AWG*3C+26AWG*2C+Al/My+D OD=6.9mm, PU, Color: Black	1
6	Over Mold	TPE Color: Black	1
5	Inner Mold	Thermoplastic Color: White Or Black	1
4	Lock Nut	Thermoplastic Color: Black	1
3	O-Ring	Silicone Color: Red	1
2	Contacts	Copper Alloy Finish: Au Plated	5
1	Housing	Thermoplastic Color: Black	1
Item	Part Name	Material / Finish	Q'ty

1	Black
2	Orange
3	Brown
4	Yellow
5	Red

Wiring Diagram Δ 1

GT Contact CO.,LTD

NOTICE OF PROPRIETARY PROPERTY:
 THE INFORMATION CONTAINED HEREIN IS THE PROPRIETARY PROPERTY OF GT CONTACT CO.,LTD THE POSSESSOR AGREES TO THE FOLLOWING:
 (a) TO MAINTAIN THIS DOCUMENT IN CONFIDENCE
 (b) NOT TO REPRODUCE OR COPY IT
 (c) NOT TO REVEAL OR PUBLISH IT IN WHOLE OR PART
 (d) ALL RIGHTS RESERVED

TITLE						DRAWING NUMBER			REV.
Hybrid C3 10A+2A 3P+2P Cable End Male Lock With PU Cable						GT1D3223-0A327-XX			A1
	B	1:1	Joyce 11/20/13	Lucas 11/20/13	Ray 11/20/13	XX ± 0.5 XXX ± 0.2	XXX ± 0.05 ANGLES ± 1°	mm	1/1
THIRD ANGLE PROJECTION	SIZE	SCALE	DRAW / DATE	CHECK / DATE	APPROVE / DATE	TOLERANCES		UNIT	SHEET