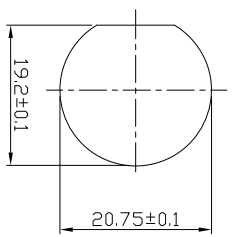
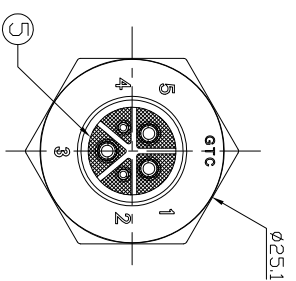
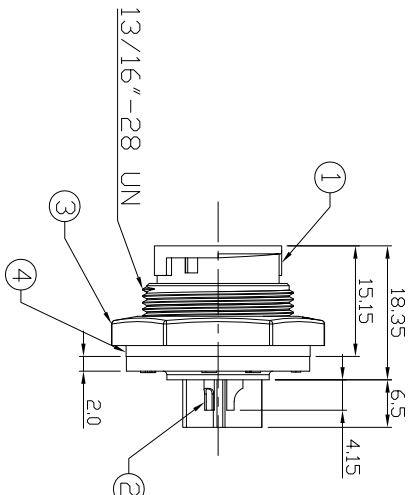
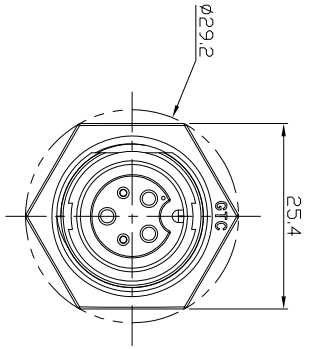


- Notes: (Unless Otherwise Specified)
1. Waterproof Rate : IP67.
 2. Recommend Panel Thickness: 0.8 to 4.0 mm.
 3. Recommend Torque: 6~7 Kgf-cm.
 4. Mating Cap P/N: GT1C5321X2.
 5. ROHS Compliant.

REV	ECN#	DESCRIPTION OF REVISION	DRAW BY DATE	CHECK BY DATE	APPROVE BY DATE
01			Vicky 01/28/11	Lucas 01/28/11	Roy 01/28/11
02	ECN-120305	增加嘴板	Vicky 03/26/12	Lucas 03/26/12	Roy 03/26/12



Recommend
Panel Cut-Out

Item	Part Name	Material / Finish	Qty
1	Housing	Thermoplastic Color: Black	1
2	Contacts	Copper Alloy Finish: Au Plated	5
3	Hex Nut	Thermoplastic Color: Black	1
4	Gasket	Silicone Color: Black	1
5	Glue	Epoxy Color: Black	1

TITLE C3 10A+2A 3P+2P Panel Female Solder Lock

DRAWING NUMBER GT1D3202-0A320

REV: 02

THIRD ANGLE PROJECTION	SIZE	SCALE	DRAW / DATE	CHECK / DATE	APPROVE / DATE	TOLERANCES	UNIT	SHEET
	B	1:1	Vicky 01/28/11	Lucas 01/28/11	Roy 01/28/11	XX ± 0.5 XXX ± 0.2	mm	1/1

GTC
R&D DEPT. ISSUE
MAR.29.2012
ONLY FOR
RELEASE

GT Contact CO.,LTD
NOTICE OF PROPRIETARY PROPERTY:
THE INFORMATION CONTAINED HEREIN IS THE PROPRIETARY PROPERTY OF GT CONTACT CO.,LTD. THE POSSESSOR AGREES TO MAINTAIN THIS DOCUMENT IN CONFIDENCE AND NOT TO REPRODUCE OR COPY IT IN ANY MANNER WITHOUT THE WRITTEN PERMISSION OF GT CONTACT CO.,LTD. ALL RIGHTS RESERVED.