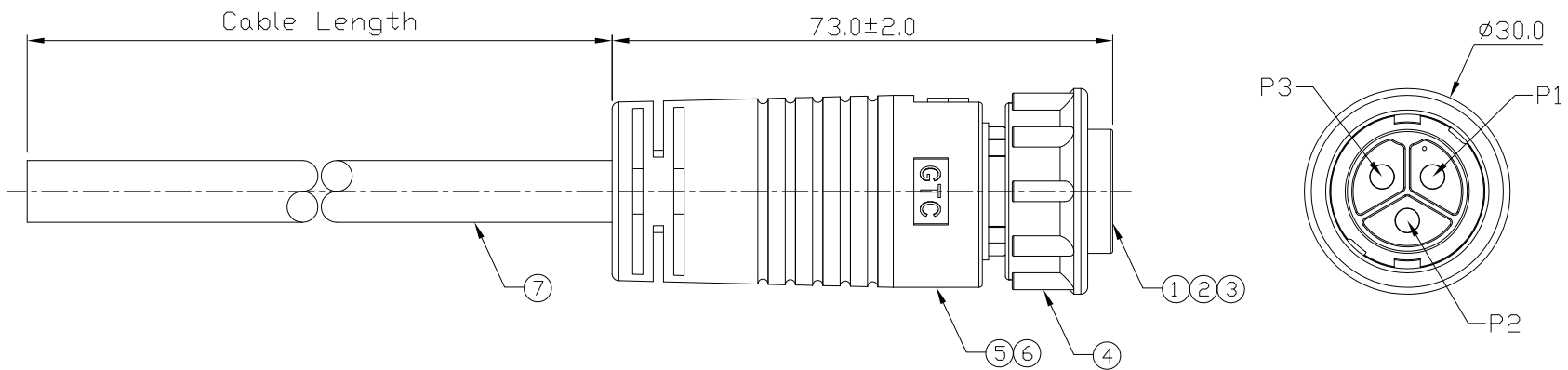


Notes: (Unless Otherwise Specified)

1. Waterproof Rate: IP67.
2. RoHS Compliant.

| REV | ECN# | DESCRIPTION OF REVISION | DRAW BY DATE | CHECK BY DATE | APPROVE BY DATE |
|-----|------------|---|-------------------|-----------------|-----------------|
| A1 | ECN-130318 | GT154234-25031-XX=>GT154234-25031-XX(F) | Lucas 03/25/13 | Ray 03/25/13 | Ray 03/25/13 |



| Item | Part Name | Material / Finish | Q'ty |
|------|------------|---|------|
| 7 | Cable | UL2464 3C*12AWG+Al/My, DD=9.0mm Color: Black | 1 |
| 6 | Over Mold | PVC Color: Black | 1 |
| 5 | Inner Mold | Thermoplastic Color: White Or Black | 1 |
| 4 | Lock Nut | Thermoplastic Color: Black | 1 |
| 3 | O-Ring | Silicone Color: Red | 1 |
| 2 | Contacts | Copper Alloy Finish: Au Plated | 3 |
| 1 | Housing | Thermoplastic Color: Black | 1 |

GTC
DOC.CENTER.ISSUE
MAR.26.2013
ONLY FOR
RELEASE

| | |
|---|-------|
| 1 | Black |
| 2 | Brown |
| 3 | Red |

Wiring Diagram

| | | |
|----------------------|--------------|------|
| GT154234-25031-10(F) | 10000 mm | ±500 |
| GT154234-25031-09(F) | 9000 mm | ±450 |
| GT154234-25031-08(F) | 8000 mm | ±400 |
| GT154234-25031-07(F) | 7000 mm | ±350 |
| GT154234-25031-06(F) | 6000 mm | ±300 |
| GT154234-25031-05(F) | 5000 mm | ±250 |
| GT154234-25031-04(F) | 4000 mm | ±200 |
| GT154234-25031-03(F) | 3000 mm | ±150 |
| GT154234-25031-02(F) | 2000 mm | ±100 |
| GT154234-25031-01(F) | 1000 mm | ±50 |
| GT154234-25031-29(F) | 900 mm | ±40 |
| GT154234-25031-Z8(F) | 800 mm | ±40 |
| GT154234-25031-Z7(F) | 700 mm | ±40 |
| GT154234-25031-Z6(F) | 600 mm | ±40 |
| GT154234-25031-Z5(F) | 500 mm | ±40 |
| GT154234-25031-Z4(F) | 400 mm | ±20 |
| GT154234-25031-Z3(F) | 300 mm | ±10 |
| GT154234-25031-Z2(F) | 200 mm | ±10 |
| Part No. | Cable Length | Tol. |

GT Contact CO.,LTD

NOTICE OF PROPRIETARY PROPERTY:
THE INFORMATION CONTAINED HEREIN IS THE PROPRIETARY PROPERTY OF GT Contact CO.,LTD THE POSSESSOR AGREES TO THE FOLLOWING:
(a) TO MAINTAIN THIS DOCUMENT IN CONFIDENCE
(b) NOT TO REPRODUCE OR COPY IT
(c) NOT TO REVEAL OR PUBLISH IT IN WHOLE OR PART
(d) ALL RIGHTS RESERVED

| TITLE | | | | | | DRAWING NUMBER | | | REV. |
|-------------------------------|------|-------|----------------|--------------|----------------|-------------------------|-----------------------------|------|-------|
| C4 30A 3P Cable End Male Lock | | | | | | GT154234-25031-XX(F) | | | A1 |
| | B | 1:1 | Lucas 12/23/10 | Ray 12/23/10 | Ray 12/23/10 | X.X ± 0.5 X.XX ± 0.2 | X.XXX ± 0.05 ANGLES ± 1° | mm | 1/1 |
| THIRD ANGLE PROJECTION | SIZE | SCALE | DRAW / DATE | CHECK / DATE | APPROVE / DATE | TOLERANCES | | UNIT | SHEET |