

1

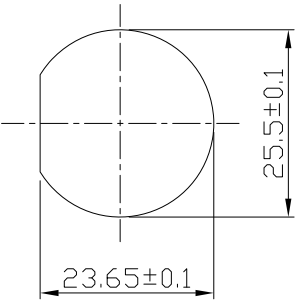
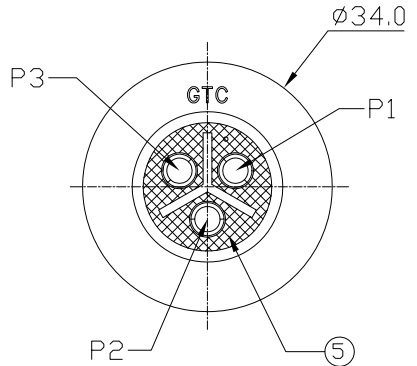
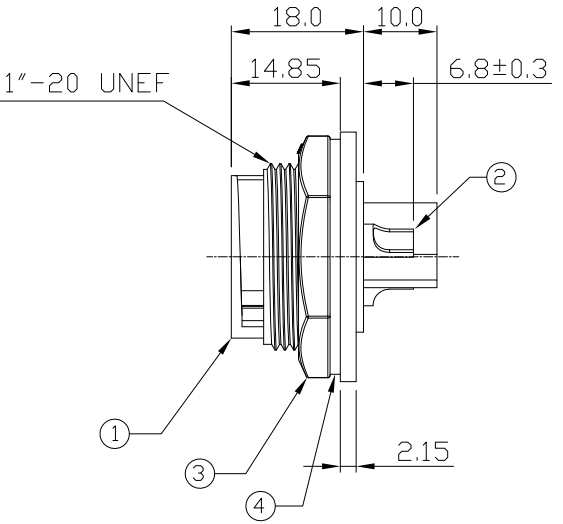
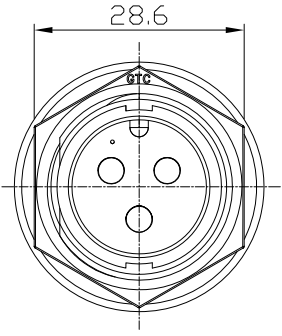
2

3

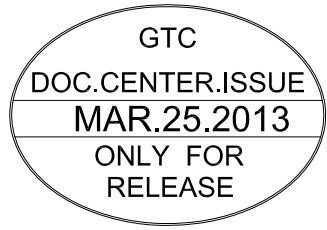
4

REV	ECN#	DESCRIPTION OF REVISION	DRAW BY DATE	CHECK BY DATE	APPROVE BY DATE
A0	ECN-130317	Mass Production	Lucas 03/25/13	Ray 03/25/13	Ray 03/25/13

Notes: (Unless Otherwise Specified)  
 1. Waterproof Rate: IP67.  
 2. Recommend Panel Thickness: 0.8 to 4.0 mm.  
 3. Recommend Torque: 19~20 Kgf-cm.  
 4. Mating Cap P/N: GT1C5421X2.  
 5. RoHS Compliant.



Recommend Panel Cut-Out



5	Glue	Epoxy Color: Black	
4	Gasket	Silicone Color: Black	1
3	Hex Nut	Thermoplastic Color: Black	1
2	Contacts	Copper Alloy Finish: Au Plated	3
1	Housing	Thermoplastic Color: Black	1
Item	Part Name	Material / Finish	Q'ty

TITLE C4 30A 3P Panel Male Solder Lock					DRAWING NUMBER GT154210-05030(F)			REV. A0	
THIRD ANGLE PROJECTION	SIZE B	SCALE 1:1	DRAW / DATE Lucas 07/18/12	CHECK / DATE Ray 07/18/12	APPROVE / DATE Ray 07/18/12	TOLERANCES X.X ± 0.5 X.XX ± 0.2	ANGLES X.XXX ± 0.05 ± 1°	UNIT mm	SHEET 1/1

GT Contact CO.,LTD  
 NOTICE OF PROPRIETARY PROPERTY:  
 THE INFORMATION CONTAINED HEREIN IS THE PROPRIETARY PROPERTY OF GT Contact CO.,LTD THE POSSESSOR AGREES TO THE FOLLOWING:  
 (i) TO MAINTAIN THIS DOCUMENT IN CONFIDENCE  
 (ii) NOT TO REPRODUCE OR COPY IT  
 (iii) NOT TO REVEAL OR PUBLISH IT IN WHOLE OR PART  
 (iv) ALL RIGHTS RESERVED

1

2

3

4