

1

2

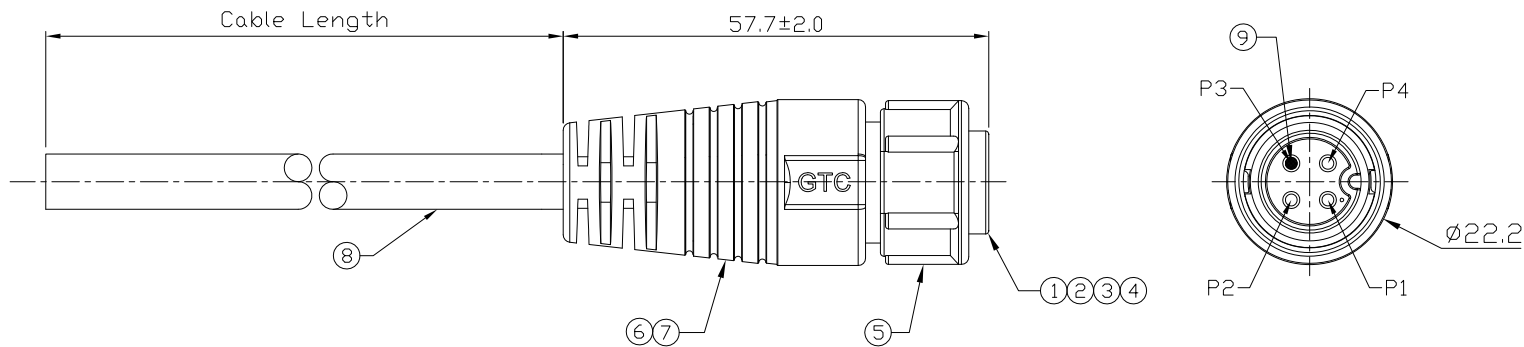
3

4

Notes: (Unless Otherwise Specified)

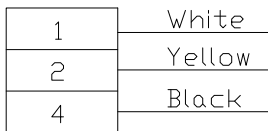
- 1. Waterproof Rate: IP67.
- 2. RoHS Compliant.

REV	ECN#	DESCRIPTION OF REVISION	DRAW BY DATE	CHECK BY DATE	APPROVE BY DATE
01			Lucas 05/31/18	Lucas 05/31/18	Ray 05/31/18



Item	Part Name	Material / Finish	Q'ty
9	Gland Pin	Thermoplastic Color: Black	2
8	Cable	UL2464 16AWG*3C, OD=6.1mm Color: Black	1
7	Over Mold	PVC Color: Black	1
6	Inner Mold	Thermoplastic Color: White or Black	1
5	Lock Nut	Thermoplastic Color: Black	1
4	O-Ring	Silicone Color: Red	1
3	Contacts	Copper Alloy Finish: Au Plated	3
2	Base	Thermoplastic Color: Black	1
1	Housing	Thermoplastic Color: Black	1

GTC
DOC.CENTER.ISSUE
JUN.01.2018
ONLY FOR
RELEASE



Wiring Diagram

GT153234-23031-10	10000 mm	+500
GT153234-23031-09	9000 mm	+450
GT153234-23031-08	8000 mm	+400
GT153234-23031-07	7000 mm	+150
GT153234-23031-06	6000 mm	+150
GT153234-23031-05	5000 mm	+150
GT153234-23031-04	4000 mm	+150
GT153234-23031-03	3000 mm	+100
GT153234-23031-02	2000 mm	+100
GT153234-23031-01	1000 mm	+50
GT153234-23031-Z9	900 mm	+50
GT153234-23031-Z8	800 mm	+50
GT153234-23031-Z7	700 mm	+50
GT153234-23031-Z6	600 mm	+50
GT153234-23031-Z5	500 mm	+50
GT153234-23031-Z4	400 mm	+50
GT153234-23031-Z3	300 mm	+25
GT153234-23031-Z2	200 mm	+25
Part No.	Cable Length	Tol.

GT Contact CO.,LTD

NOTICE OF PROPRIETARY PROPERTY:
THE INFORMATION CONTAINED HEREIN IS THE PROPRIETARY PROPERTY OF GT Contact CO.,LTD THE POSSESSOR AGREES TO THE FOLLOWING:
(i) TO MAINTAIN THIS DOCUMENT IN CONFIDENCE
(ii) NOT TO REPRODUCE OR COPY IT
(iii) NOT TO REVEAL OR PUBLISH IT IN WHOLE OR PART
(iv) ALL RIGHTS RESERVED

TITLE						DRAWING NUMBER			REV.
C3 10A 3P Cable End Male Lock						GT153234-23031-XX			01
THIRD ANGLE PROJECTION	SIZE	SCALE	DRAW / DATE	CHECK / DATE	APPROVE / DATE	TOLERANCES		UNIT	SHEET
	B	1:1	Lucas 05/31/18	Lucas 05/31/18	Ray 05/31/18	XX ± 0.5 XXX ± 0.2		X.XXX ± 0.05 ANGLES ± 1°	mm 1/1

1

2

3

4