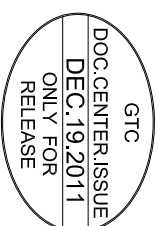
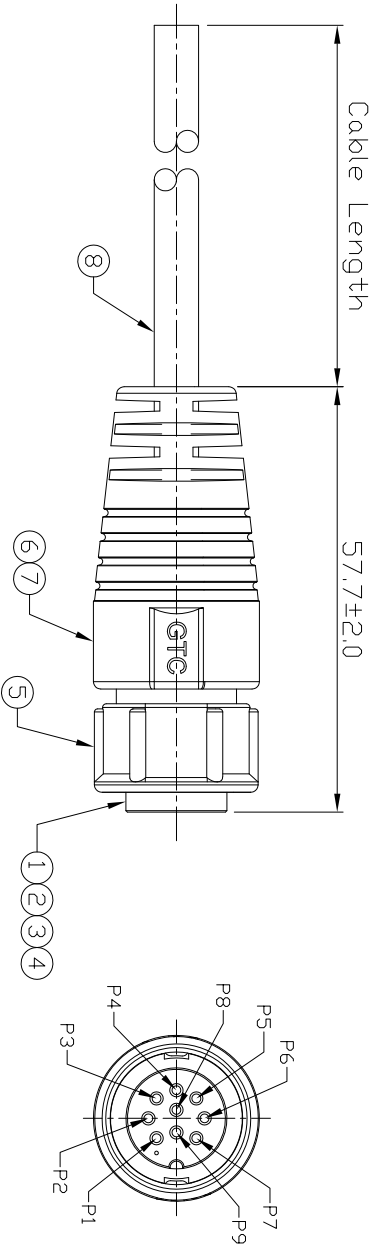


Notes: (Unless Otherwise Specified)
 1. Waterproof Rate: IP67.
 2. RoHS Compliant.

REV	ECN#	DESCRIPTION OF REVISION	DRAW BY DATE	CHECK BY DATE	APPROVE BY DATE
A0		Mass Production	Joyce 12/19/11	Lucas 12/19/11	Roy 12/19/11



GT153224-22091-10	10000 mm	±500
GT153224-22091-09	9000 mm	±450
GT153224-22091-08	8000 mm	±400
GT153224-22091-07	7000 mm	±350
GT153224-22091-06	6000 mm	±300
GT153224-22091-05	5000 mm	±250
GT153224-22091-04	4000 mm	±200
GT153224-22091-03	3000 mm	±150
GT153224-22091-02	2000 mm	±100
GT153224-22091-01	1000 mm	±50
GT153224-22091-29	900 mm	±40
GT153224-22091-28	800 mm	±40
GT153224-22091-27	700 mm	±40
GT153224-22091-26	600 mm	±40
GT153224-22091-25	500 mm	±40
GT153224-22091-24	400 mm	±40
GT153224-22091-23	300 mm	±40
Part No.	Cable Length	Tol.

Wiring Diagram

1	Black
2	Brown
3	Red
4	Orange
5	Yellow
6	Green
7	Blue
8	Violet
9	Gray

Item	Part Name	Material/Finish	Q'ty
8	Cable	UL 2464 24AWG*9C+D+ALV/My DD=6.0mm Color: Black	1
7	Dyer Mold	PVC Color: Black	1
6	Inner Mold	Thermoplastic Color: White Or Black	1
5	Lock Nut	Thermoplastic Color: Black	1
4	Base	Thermoplastic Color: Black	1
3	D-Ring	Silicone Color: Red	1
2	Contacts	Copper Alloy Finish: Au Plated	9
1	Housing	Thermoplastic Color: Black	1

TITLE C3 5A 9P Cable End Female Lock

DD NOT SCALE DRAWINGS	SIZE	SCALE	DRAW / DATE	CHECK / DATE	APPROVE / DATE	DRAWING NUMBER	REV.
THIRD ANGLE PROJECTION	B	1:1	Joyce 12/19/11	Lucas 12/19/11	Roy 12/19/11	GT153224-22091-XX	A0

NOTICE OF PROPRIETARY PROPERTY:
 THE INFORMATION CONTAINED HEREIN IS THE PROPRIETARY PROPERTY OF GT Contact CO.,LTD THE POSSESSOR ADDRESS TO THE FOLLOWING:
 GT TO MAINTAIN THIS DOCUMENT IN CONFIDENCE
 DO NOT TO REPRODUCE OR PUBLISH IT IN WHOLE OR PART
 (C) ALL RIGHTS RESERVED

GT Contact CO.,LTD

1

2

3

4

1

2

3

4