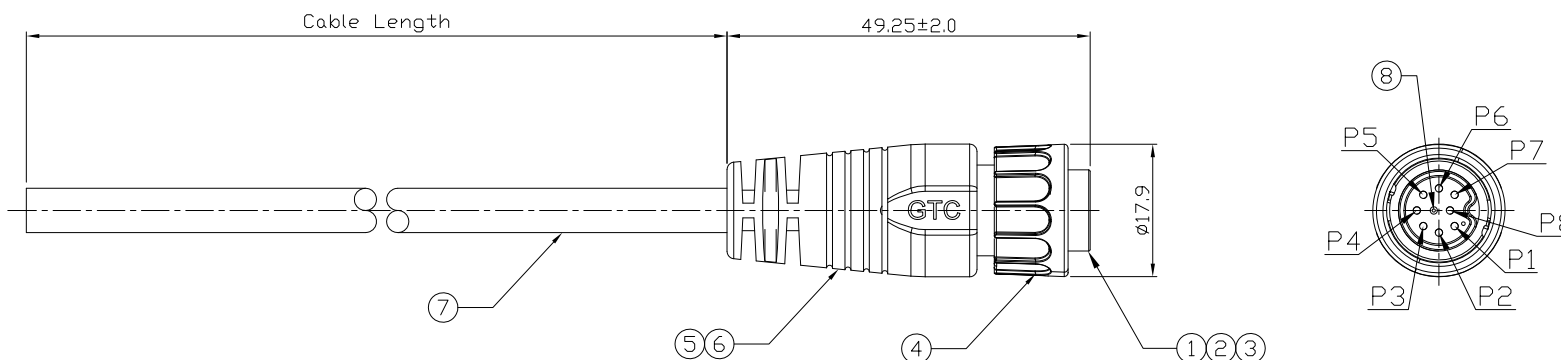


Notes: (Unless Otherwise Specified)  
 1. Waterproof Rate: IP67.  
 2. RoHS Compliant.

REV	ECN#	DESCRIPTION OF REVISION	DRAW BY DATE	CHECK BY DATE	APPROVE BY DATE
01			Lucas 03/20/15	Lucas 03/20/15	Ray 03/20/15



Item	Part Name	Material / Finish	Q'ty
8	Gland Pin	Thermoplastic Color:Black	1
7	Cable	UL2464 24AWG*8C+D+Al/My (UV) OD=5.5mm, Color:Black	1
6	Over Mold	PVC Color: Black	1
5	Inner Mold	Thermoplastic Color: White or Black	1
4	Lock Nut	Thermoplastic Color: Black	1
3	O-Ring	Silicone Color: Red	1
2	Contacts	Copper Alloy Finish: Au Plated	8
1	Housing	Thermoplastic Color: Black	1

1	Black
2	Brown
3	Orange
4	Yellow
5	Green
6	Blue
7	Violet
8	White

GT152234-22081-10(F)	10000 mm	±500
GT152234-22081-09(F)	9000 mm	±450
GT152234-22081-08(F)	8000 mm	±400
GT152234-22081-07(F)	7000 mm	±150
GT152234-22081-06(F)	6000 mm	±150
GT152234-22081-05(F)	5000 mm	±150
GT152234-22081-04(F)	4000 mm	±150
GT152234-22081-03(F)	3000 mm	±150
GT152234-22081-02(F)	2000 mm	±100
GT152234-22081-01(F)	1000 mm	±50
GT152234-22081-Z5(F)	500 mm	±40

Part No.	Cable Length	Tol.
----------	--------------	------

Wiring Diagram

GT Contact CO.,LTD

NOTICE OF PROPRIETARY PROPERTY:  
 THE INFORMATION CONTAINED HEREIN IS THE PROPRIETARY PROPERTY OF GT Contact CO.,LTD THE POSSESSOR AGREES TO THE FOLLOWING:  
 (a) TO MAINTAIN THIS DOCUMENT IN CONFIDENCE  
 (b) NOT TO REPRODUCE OR COPY IT  
 (c) NOT TO REVEAL OR PUBLISH IT IN WHOLE OR PART  
 (d) ALL RIGHTS RESERVED

TITLE						DRAWING NUMBER			REV.	
C2 5A 8P Cable End Male Lock						GT152234-22081-XX(F)			01	
THIRD ANGLE PROJECTION	SIZE	SCALE	DRAW / DATE	CHECK / DATE	APPROVE / DATE	X.X ± 0.5 X.XX ± 0.2	X.XXX ± 0.05 ANGLES ± 1°	mm	1/1	
	B	1:1	Lucas 03/20/15	Lucas 03/20/15	Ray 03/20/15	TOLERANCES		UNIT	SHEET	