

1

2

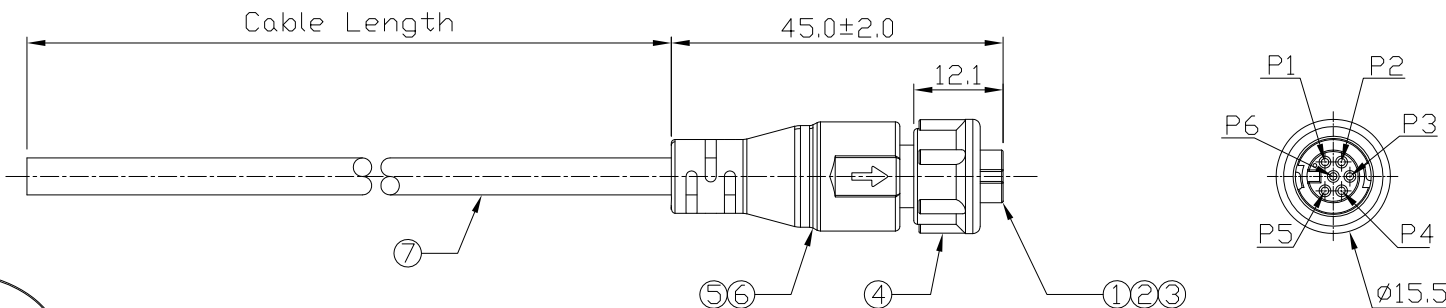
3

4

REV	ECN#	DESCRIPTION OF REVISION	DRAW BY DATE	CHECK BY DATE	APPROVE BY DATE
A1		Add GT151224-21061-Z2	Lucas 06/28/11	Ray 06/28/11	Ray 06/28/11

Notes: (Unless Otherwise Specified)

- 1. Waterproof Rate: IP67.
- 2. RoHS Compliant.



GTC
 DOC.CENTER.ISSUE
 JUN.28.2011
 ONLY FOR
 RELEASE

7	Cable	UL2464 26AWG*6C+AL/MY+D, DD=5.0mm Color: Black	1
6	Over Mold	PVC Color: Black	1
5	Inner Mold	Thermoplastic Color: White Or Black	1
4	Lock Nut	Thermoplastic Color: Black	1
3	O-ring	Silicone Color: Red	1
2	Contacts	Copper Alloy Finish: Au Plated	6
1	Housing	Thermoplastic Color: Black	1
Item	Part Name	Material/Finish	Q'ty

1	Black
2	Brown
3	Red
4	Orange
5	Yellow
6	Green
	Drain

Wiring Diagram

GT151224-21061-10	10000 mm	±500
GT151224-21061-09	9000 mm	±450
GT151224-21061-08	8000 mm	±400
GT151224-21061-07	7000 mm	±150
GT151224-21061-06	6000 mm	±150
GT151224-21061-05	5000 mm	±150
GT151224-21061-04	4000 mm	±150
GT151224-21061-03	3000 mm	±150
GT151224-21061-02	2000 mm	±100
GT151224-21061-01	1000 mm	±50
GT151224-21061-Z5	500 mm	±40
GT151224-21061-Z2	200 mm	±20
Part No.	Cable Length	Tol.



GT Contact CO.,LTD

NOTICE OF PROPRIETARY PROPERTY:
 THE INFORMATION CONTAINED HEREIN IS THE PROPRIETARY PROPERTY OF GT CONTACT CO.,LTD THE POSSESSOR AGREES TO THE FOLLOWING:
 (a) TO MAINTAIN THIS DOCUMENT IN CONFIDENCE
 (b) NOT TO REPRODUCE OR COPY IT
 (c) NOT TO REVEAL OR PUBLISH IT IN WHOLE OR PART
 (d) ALL RIGHTS RESERVED

TITLE C1 2A 6P Cable End Female Lock						DRAWING NUMBER GT151224-21061-XX			REV. A1	
THIRD ANGLE PROJECTION		SIZE B	SCALE 1:1	DRAW / DATE Lucas 10/08/10	CHECK / DATE Ray 10/08/10	APPROVE / DATE Ray 10/08/10	TOLERANCES X.X ± 0.5 X.XXX ± 0.05 X.XX ± 0.2 ANGLES ± 1°		UNIT mm	SHEET 1/1

1

2

3

4