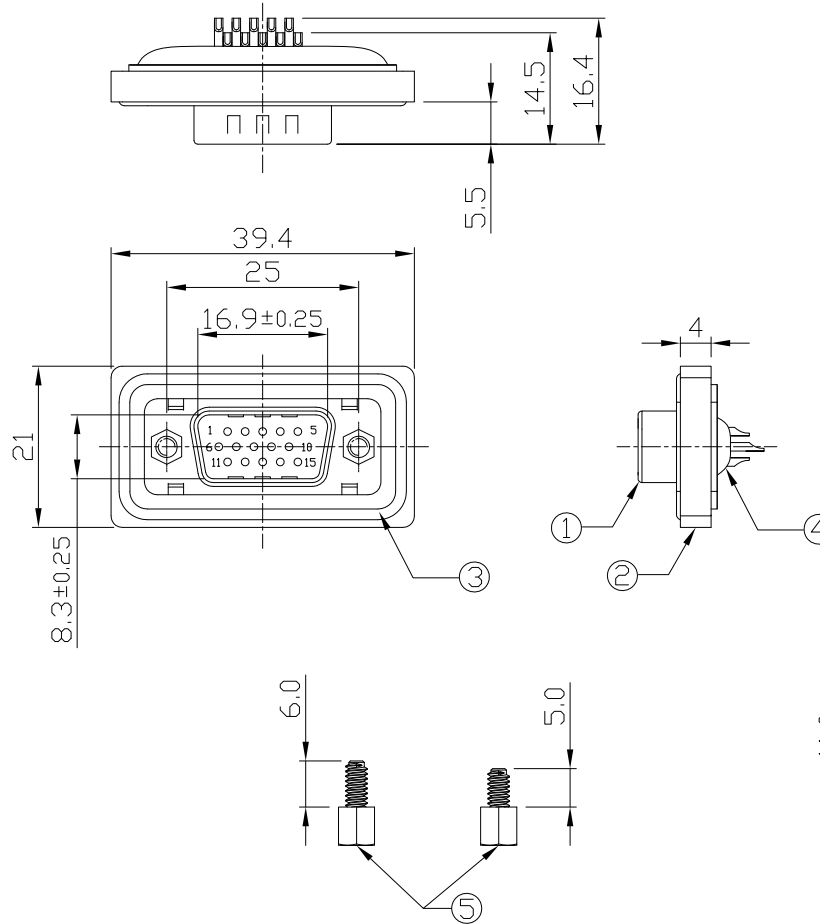
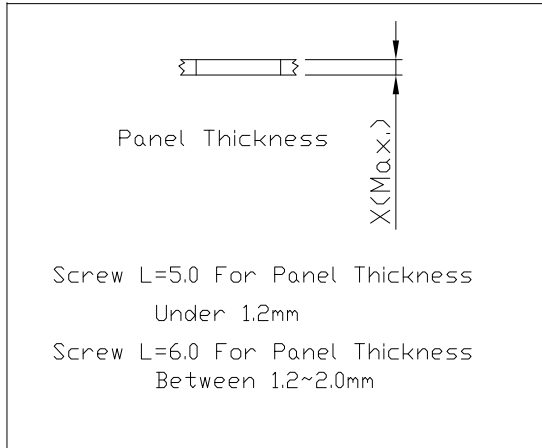


Notes: (Unless Otherwise Specified)

1. Waterproof Rate: IP68.
2. Recommend Panel Thickness: 0.8 to 2.0 mm.
3. Recommend Torque: 5~6 Kgf-cm.
4. Mating Cap P/N: GT1C4140X2.
5. RoHS & REACH Compliant.

REV	ECN#	DESCRIPTION OF REVISION	DRAW BY DATE	CHECK BY DATE	APPROVE BY DATE
A2	ECN-160921	Redraw	Joyce 10/12/16	Lucas 10/12/16	Ray 10/12/16



GTC
DOC.CENTER.ISSUE
OCT.18.2016
ONLY FOR
RELEASE

Item	Part Name	Material / Finish	Q'ty
5	Machine Screw	#4-40,Copper Alloy Finish: Ni Plated	4
4	Glue	Epoxy Color: Black	
3	O-Ring	Silicone Color: Red	1
2	Housing	Thermoplastic Color: Black	1
1	D-SUB HD 15P Male	Shell: Steel, Finish: Sn Plated Contacts: Copper Alloy, Finish: Au Plated Housing: Thermoplastic, Color: Black	1

Screws on The Separate Bag

Recommend
Panel Cut-Out

TITLE						DRAWING NUMBER			REV.	
D-SUB HD 15P Panel Male Solder						GT146310-02150			A2	
THIRD ANGLE PROJECTION	SIZE	SCALE	DRAW / DATE	CHECK / DATE	APPROVE / DATE	TOLERANCES	UNIT	SHEET		
	B	1:1	Vicky 08/05/10	Ray 08/05/10	Ray 08/05/10	X.X ± 0.5 X.XX ± 0.2	mm	X.XXX ± 0.05 ANGLES ± 1°	1/1	

GT Contact CO.,LTD

NOTICE OF PROPRIETARY PROPERTY:
THE INFORMATION CONTAINED HEREIN IS THE PROPRIETARY PROPERTY OF GT Contact CO.,LTD THE POSSESSOR AGREES TO THE FOLLOWING:
(a) TO MAINTAIN THIS DOCUMENT IN CONFIDENCE
(b) NOT TO REPRODUCE OR COPY IT
(c) NOT TO REVEAL OR PUBLISH IT IN WHOLE OR PART
(d) ALL RIGHTS RESERVED