

1

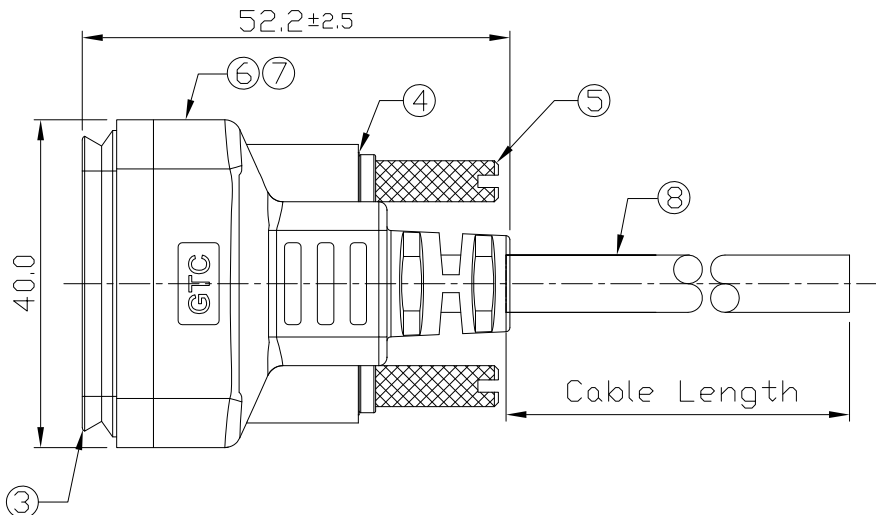
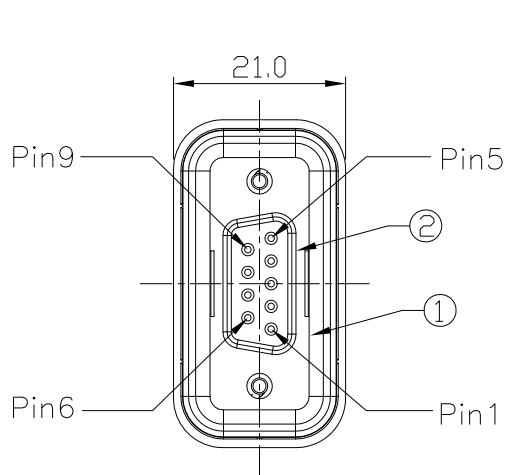
2

3

4

Notes: (Unless Otherwise Specified)
 1. Waterproof Rate: IP67.
 2. RoHS Compliant

REV	ECN#	DESCRIPTION OF REVISION	DRAW BY DATE	CHECK BY DATE	APPROVE BY DATE
A0		Mass Production	Vicky 08/11/10	Ray 08/11/10	Ray 08/11/10
A1	ECN-110103	Marked	Vicky 01/25/11	Ray 01/25/11	Ray 01/25/11



1	Brown
2	Blue
3	Orange
4	Green
5	Yellow
6	Gray
7	Violet
8	Red
9	Black
Shell	Drain

Wiring Diagram

GTC
 DOC.CENTER.ISSUE
 JAN.25.2010
 ONLY FOR
 RELEASE

Part No.	Cable Length	Tol.
GT141320-02091-10	10000 mm	±500
GT141320-02091-09	9000 mm	±450
GT141320-02091-08	8000 mm	±400
GT141320-02091-07	7000 mm	±150
GT141320-02091-06	6000 mm	±150
GT141320-02091-05	5000 mm	±150
GT141320-02091-04	4000 mm	±150
GT141320-02091-03	3000 mm	±150
GT141320-02091-02	2000 mm	±100
GT141320-02091-01	1000 mm	±50
GT141320-02091-Z9	900 mm	±40
GT141320-02091-Z8	800 mm	±40
GT141320-02091-Z7	700 mm	±40
GT141320-02091-Z6	600 mm	±40
GT141320-02091-Z5	500 mm	±40
GT141320-02091-Z4	400 mm	±20
GT141320-02091-Z3	300 mm	±20
GT141320-02091-Z2	200 mm	±10

8	Cable	UL2464 24AWG*9C+Al/My+D Color: Black, OD=6.0mm	1	
7	Over Mold	PVC Color: Black	1	
6	Inner Mold	Thermoplastic Color: White	1	
5	Machine Screw	Stainless Finish: Non	2	
4	Gasket	EPDM Color: Black	2	
3	Rubber Pad	EPDM Color: Black	1	
2	D-SUB 5A 9P Female	Housing: Thermoplastic, Color: Black Contacts: Copper Alloy, Finish: Au Plated Shell: Cold Roll Steel, Finish: Ni Plated	1	
1	Housing	Thermoplastic Color: Black	1	
Item	Part Name	Material / Finish	Q'ty	

TITLE						DRAWING NUMBER			REV.	
D-Sub 5A 9P Cable End Female						GT141320-02091-XX			A1	
	B	1:1	Vicky 08/11/10	Ray 08/11/10	Ray 08/11/10	X.X ± 0.5 X.XX ± 0.2	X.XXX ± 0.05 ANGLES ± 1°	mm	1/1	
THIRD ANGLE PROJECTION	SIZE	SCALE	DRAW / DATE	CHECK / DATE	APPROVE / DATE	TOLERANCES		UNIT	SHEET	

GT Contact CO.,LTD

NOTICE OF PROPRIETARY PROPERTY:
 THE INFORMATION CONTAINED HEREIN IS THE PROPRIETARY PROPERTY OF GT Contact CO.,LTD THE POSSESSOR AGREES TO THE FOLLOWING:
 (a) TO MAINTAIN THIS DOCUMENT IN CONFIDENCE
 (b) NOT TO REPRODUCE OR COPY IT
 (c) NOT TO REVEAL OR PUBLISH IT IN WHOLE OR PART
 (d) ALL RIGHTS RESERVED

1

2

3

4