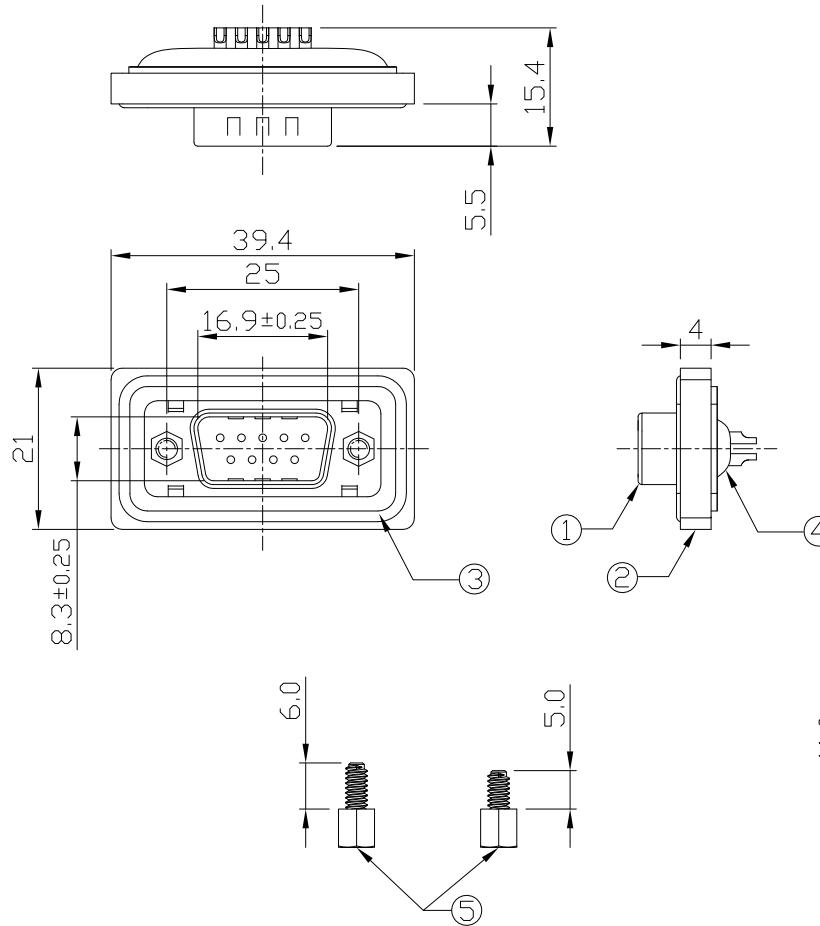
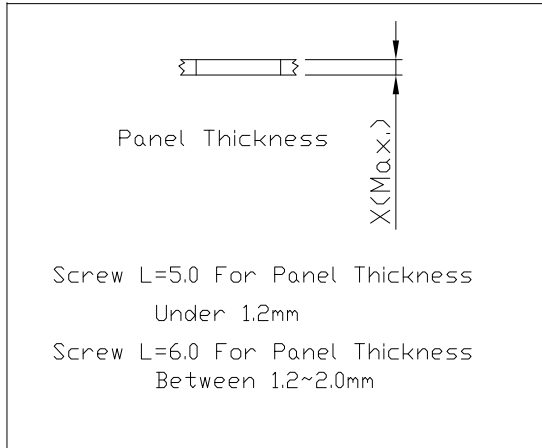


Notes: (Unless Otherwise Specified)

1. Waterproof Rate : IP68
2. Recommend Panel Thickness: 0.8 to 2.0 mm.
3. Recommend Torque: 5~6 Kgf-cm.
4. Mating Cap P/N: GT1C4140X2.
5. RoHS & REACH Compliant.

REV	ECN#	DESCRIPTION OF REVISION	DRAW BY DATE	CHECK BY DATE	APPROVE BY DATE
A3	ECN-160921	Redraw	Joyce 10/11/16	Lucas 10/11/16	Ray 10/11/16



GTC
DOC.CENTER.ISSUE
OCT.18.2016
ONLY FOR
RELEASE

Item	Part Name	Material / Finish	Q'ty
5	Machine Screw	#4-40, Copper Alloy Finish: Ni Plated	4
4	Glue	Epoxy Color: Black	
3	O-Ring	Silicone Color: Red	1
2	Housing	Thermoplastic Color: Black	1
1	D-SUB 9P Male	Shell: Steel, Finish: Sn Plated Contacts: Copper Alloy, Finish: Au Plated Housing: Thermoplastic, Color: Black	1

Screws on The Separate Bag

Recommend
Panel Cut-Out

GT Contact CO.,LTD

NOTICE OF PROPRIETARY PROPERTY:
THE INFORMATION CONTAINED HEREIN IS THE PROPRIETARY PROPERTY OF GT Contact CO.,LTD THE POSSESSOR AGREES TO THE FOLLOWING:
(i) TO MAINTAIN THIS DOCUMENT IN CONFIDENCE
(ii) NOT TO REPRODUCE OR COPY IT
(iii) NOT TO REVEAL OR PUBLISH IT IN WHOLE OR PART
(iv) ALL RIGHTS RESERVED

TITLE						DRAWING NUMBER			REV.
D-SUB 9P Panel Male Solder						GT141310-02090			A3
THIRD ANGLE PROJECTION	SIZE	SCALE	DRAW / DATE	CHECK / DATE	APPROVE / DATE	TOLERANCES	UNIT	SHEET	
	B	1:1	Karen 09/04/09	Ray 09/04/09	Ray 09/04/09	X.X ± 0.5 X.XX ± 0.2	X.XXX ± 0.05 ANGLES ± 1°	mm 1/1	