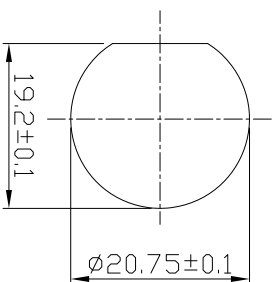
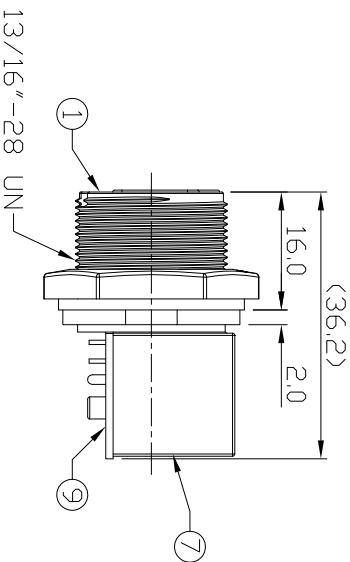
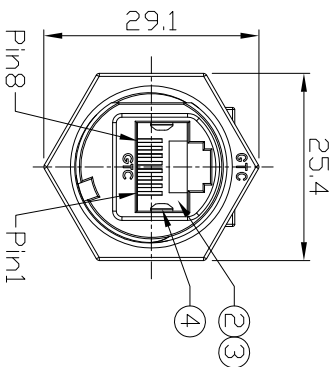
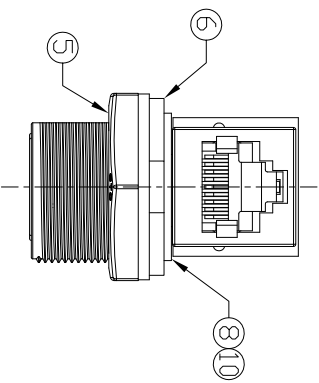


- Notes: (Unless Otherwise Specified)
1. Waterproof Rate: IP67.
 2. Recommend Panel Thickness: 0.8 to 4.0 mm.
 3. Recommend Torque: 14.0~15.0 Kgf-cm.
 4. Mating Cap P/N: GT1C5331X2.
 5. RoHS Compliant.

REV	ECN#	DESCRIPTION OF REVISION	DRAW BY DATE	CHECK BY DATE	APPROVE BY DATE
A0		Mass Production	Vicky 09/27/10	Roy 09/27/10	Roy 09/27/10
A1	ECN-130705	Modified PCB	Joyce 07/03/13	Lucas 07/03/13	Roy 07/03/13

GTC
DOC.CENTER.ISSUE
JUL.08.2013
ONLY FOR
RELEASE



Recommend
Panel Cut-Out

Item	Part Name	Material / Finish	Qty
10	Glue	Epoxy Color: Black	1
9	PCB	FR-4 Color: -	1
8	Holder	Thermoplastic Color: Black	1
7	RJ45 Receptacle	Shell: Copper Alloy; Finish: Ni Plated Housing: Thermoplastic; Color: Black Contacts: Copper Alloy; Finish: Au Plated	1
6	Gasket	Silicone Color: Black	1
5	Hex Nut	Thermoplastic Color: Black	1
4	EMI Shielded Plate	Copper Alloy Finish: Ni Plated	2
3	Holder	Thermoplastic Color: Black	1
2	RJ45 Receptacle	Housing: Thermoplastic; Color: Gray Contacts: Copper Alloy; Finish: Au Plated	1
1	Housing	Thermoplastic Color: Black	1

TITLE RJ45 Plastic C3 Shielded Panel Jack Screw With Receptacle Coupler 90°

DRAWING NUMBER
GT125300-40

REV.
A1

THIRD ANGLE PROJECTION	SIZE	SCALE	DRAW / DATE	CHECK / DATE	APPROVE / DATE	TOLERANCES	UNIT	SHEET
1	B	1:1	Joyce 01/07/13	Lucas 01/07/13	Roy 01/07/13	XX ± 0.5 XXX ± 0.2 XXXX ANGLES ± 1°	mm	1/1

GT Contact CD, LTD

NOTICE OF PROPRIETARY PROPERTY:
THE INFORMATION CONTAINED HEREIN IS THE PROPRIETARY PROPERTY OF GT Contact CD, LTD THE POSSESSOR AGREES TO THE FOLLOWING:
a) TO MAINTAIN THIS DOCUMENT IN CONFIDENCE
b) NOT TO REPRODUCE OR DISSEMINATE IT IN WHOLE OR PART
c) ALL RIGHTS RESERVED