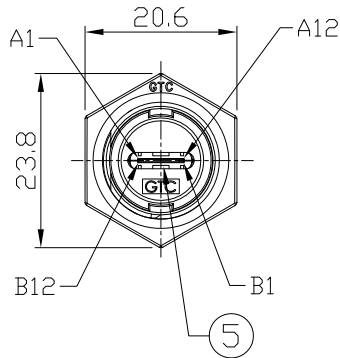


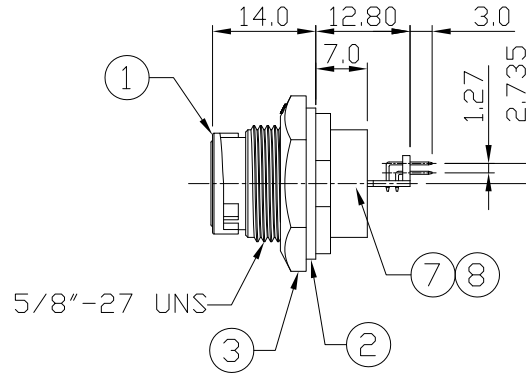
Notes: (Unless Otherwise Specified)

- 1. Waterproof Rate: IP67.
- 2. Recommend Panel Thickness: 0.8 to 3.0 mm.
- 3. Recommend Torque: 9~10 Kgf-cm.
- 4. Mating Cap P/N: GT1C1210X2.
- 5. RoHS Compliant.
- 6. Type C AB面接點需跟圖面一致.
- 7. UL Certitied #E364108.

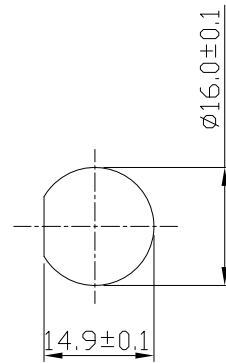
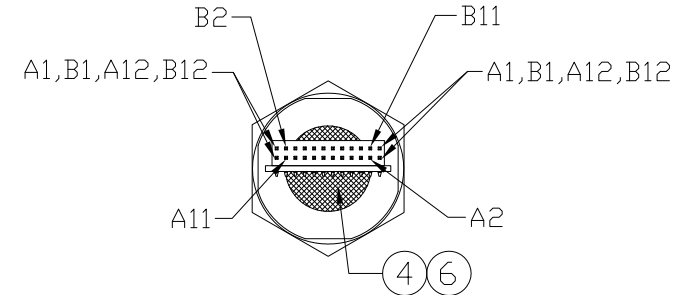
REV	ECN#	DESCRIPTION OF REVISION	DRAW BY DATE	CHECK BY DATE	APPROVE BY DATE
04	ECN-190628	Increase drawing requirements	Lucas 07/12/19	Lucas 07/12/19	Ray 07/12/19



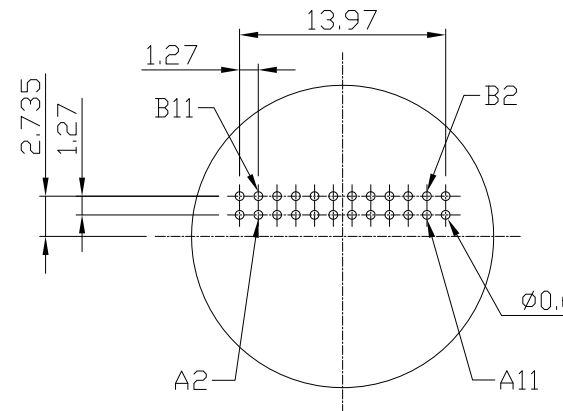
Conn.



5/8"-27 UNS



Recommend Panel Cut-Out



Recommend PCB Layout (Scale 2/1)

Item	Part Name	Material / Finish	Q'ty
8	Pin Header	Housing: Thermoplastic, Color: Black Contacts: Copper Alloy, Finish: Au Plated	1
7	PCB	FR-4 Color: -	1
6	Glue	Epoxy Color: Black	
5	USB Type C 3.1	Housing: Thermoplastic, Color: Black Contacts: Copper Alloy, Finish: Au 30u' Plated Shell: Stainless Steel, Finish: Au Plated	1
4	Hold	Silicone Color: Black	1
3	Hex Nut	Thermoplastic Color: Black	1
2	Gasket	Silicone Color: Black	1
1	Housing	Thermoplastic Color: Black	1

TITLE USB 3.1 Type C Plastic C2 Panel Jack Lock Dip						DRAWING NUMBER GT11C200-10			REV. 04	
THIRD ANGLE PROJECTION	SIZE B	SCALE 1:1	DRAW / DATE Viola 10/03/17	CHECK / DATE Lucas 10/03/17	APPROVE / DATE Ray 10/03/17	TOLERANCES X.X ± 0.5 X.XXX ± 0.05 X.XX ± 0.2 ANGLES ± 1°		UNIT mm	SHEET 1/1	

GT Contact CO.,LTD

NOTICE OF PROPRIETARY PROPERTY:
THE INFORMATION CONTAINED HEREIN IS THE PROPRIETARY PROPERTY OF GT CONTACT CO.,LTD THE POSSESSOR AGREES TO THE FOLLOWING:
(a) TO MAINTAIN THIS DOCUMENT IN CONFIDENCE
(b) NOT TO REPRODUCE OR COPY IT
(c) NOT TO REVEAL OR PUBLISH IT IN WHOLE OR PART
(d) ALL RIGHTS RESERVED