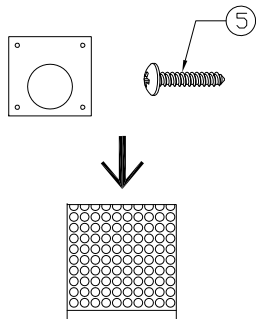
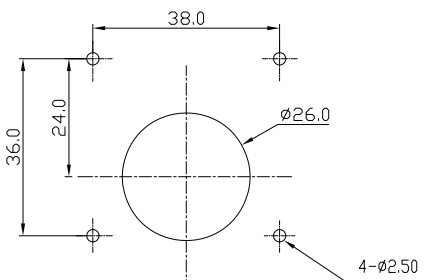
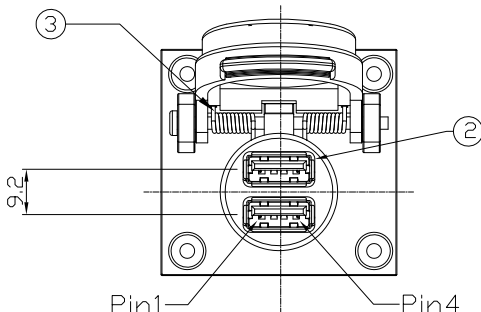
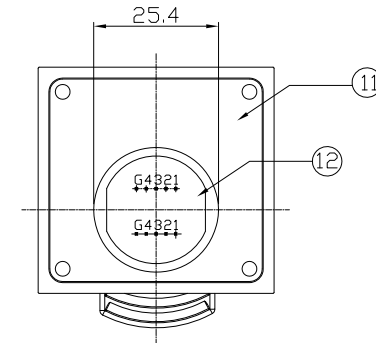
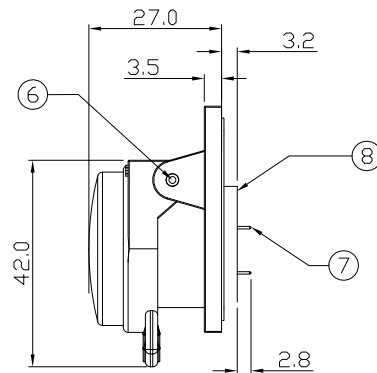
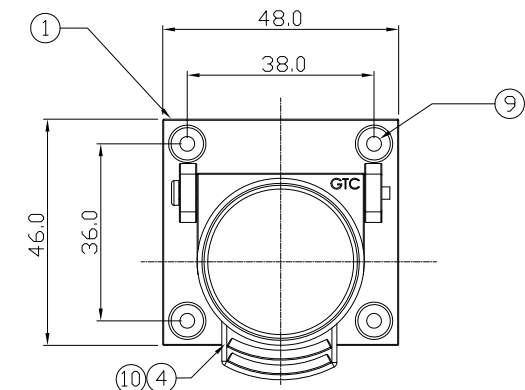


Notes: (Unless Otherwise Specified)

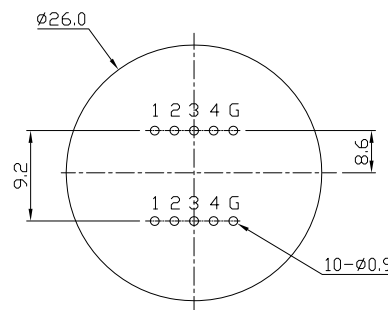
- 1. Waterproof Rate: Unmated IP67 Δ
- 2. Recommend Panel Thickness: 0.8 to 3.0 mm.
- 3. RoHS Compliant.
- 4. 螺絲與灰紙板單獨用汽泡袋包裝。
- 5. USB-A Receptacle Pin針需插在泡棉上。



| REV | ECN# | DESCRIPTION OF REVISION | DRAW BY DATE | CHECK BY DATE | APPROVE BY DATE |
|-----|------------|--|---------------------|-------------------|-----------------|
| 02 | ECN-180701 | Change Item 4 : Cap => Dust Cover ; Δ Modify Waterproof Rate | Whitney 07/02/18 | Lucas 07/02/18 | Ray 07/02/18 |



Recommend
Panel Cut-Out
Scale 1:1



Recommend PCB Layout
Scale 2:1

| USB-A TYPE | | | |
|------------|------|-------------------|--------------------|
| Pin | Name | Function | Mating Cable Color |
| 1 | VBUS | +5 VDC | Red |
| 2 | D- | Data- | White |
| 3 | D+ | Data+ | Green |
| 4 | GND | Ground | Black |
| 6 | SHLD | Shield-Drain Wire | Bare Silver Wire |



| 12 | Glue | Epoxy Color: Black | |
|------|------------------|---|------------|
| 11 | Gasket | Silicone Color: Black | 1 |
| 10 | Rubber Pad | Silicone Color: Black | 1 |
| 9 | Screw Gasket | EPDM Color: Black | 4 |
| 8 | PCB | FR-4 Color: Green | 1 |
| 7 | Pin Header | Housing: Thermoplastic, Color: Black Contacts: Copper Alloy, Finish: Gold Flash | 2 |
| 6 | Rivet | Aluminum Finish:- | 1 |
| 5 | Screw | Stainless(TP1) Finish:- | 4 |
| 4 | Dust Cover | Thermoplastic Color: Black | 1 Δ |
| 3 | Spring | Stainless Finish:- | 1 |
| 2 | USB-A Receptacle | Housing: Thermoplastic, Color: Black Contacts: Copper Alloy, Finish: Au Plated Shell: Copper Alloy, Finish: Ni Plated | 2 |
| 1 | Housing | Thermoplastic Color: Black | 1 |
| Item | Part Name | Material / Finish | Qty |

| TITLE | | | | | | DRAWING NUMBER | | | REV. |
|---|------|-------|----------------|--------------|----------------|-------------------------|-----------------------------|------|-------|
| USB-A C4 Panel Square Flange Dual-USB JACK DIP With Cap | | | | | | GT111443-10 | | | 02 |
| | B | 1:1 | Poter 01/20/14 | Ray 01/20/14 | Ray 01/20/14 | X.X ± 0.5 X.XX ± 0.2 | X.XXX ± 0.05 ANGLES ± 1° | mm | 1/1 |
| THIRD ANGLE PROJECTION | SIZE | SCALE | DRAW / DATE | CHECK / DATE | APPROVE / DATE | TOLERANCES | | UNIT | SHEET |

GT Contact CO.,LTD

NOTICE OF PROPRIETARY PROPERTY:
THE INFORMATION CONTAINED HEREIN IS THE PROPRIETARY PROPERTY OF GT Contact CO.,LTD THE POSSESSOR AGREES TO THE FOLLOWING:
(A) TO MAINTAIN THIS DOCUMENT IN CONFIDENCE
(B) NOT TO REPRODUCE OR COPY IT
(C) NOT TO REVEAL OR PUBLISH IT IN WHOLE OR PART
(D) ALL RIGHTS RESERVED