

1

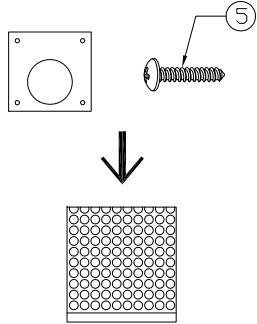
2

3

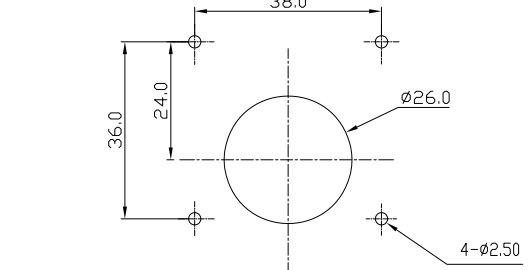
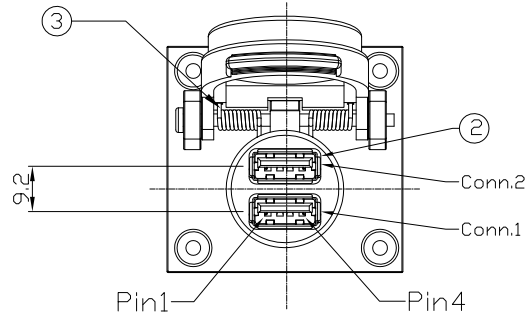
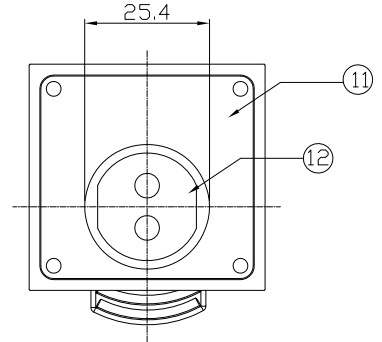
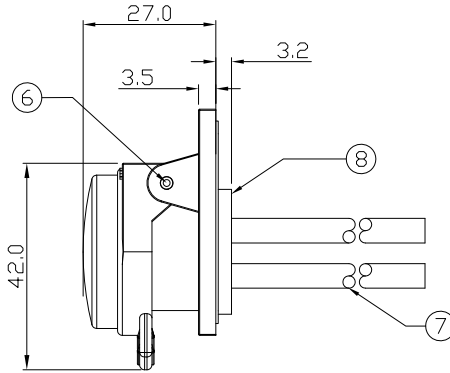
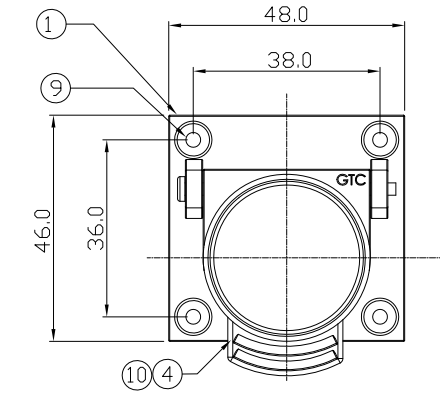
4

Notes: (Unless Otherwise Specified)

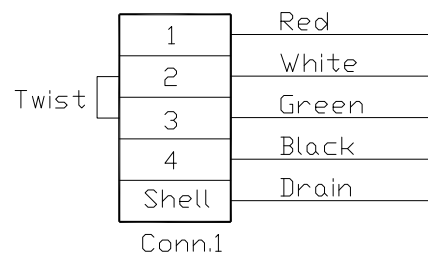
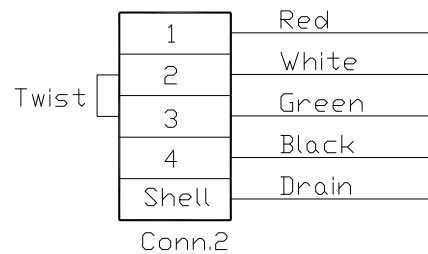
- 1. Waterproof Rate: Unmated IP67 $\Delta 03$
- 2. Recommend Panel Thickness: 0.8 to 3.0 mm.
- 3. RoHS Compliant.
- 4. 螺絲與灰紙板單獨用汽泡袋包裝。



REV	ECN#	DESCRIPTION OF REVISION	DRAW BY DATE	CHECK BY DATE	APPROVE BY DATE
03	ECN-180701	Change Item 4 : Cap => Dust Cover ; Modify Waterproof Rate $\Delta 03$	Whitney 07/02/18	Lucas 07/02/18	Ray 07/02/18



Recommend
Panel Cut-Out
Scale 1:1



Wiring Diagram



Part No.	Cable Length	Tol.
GT111443-04-03	3000 mm	±150
GT111443-04-02	2000 mm	±100
GT111443-04-01	1000 mm	±50
GT111443-04-Z9	900 mm	±20
GT111443-04-Z8	800 mm	±20
GT111443-04-Z7	700 mm	±20
GT111443-04-Z6	600 mm	±20
GT111443-04-Z5	500 mm	±20
GT111443-04-Z4	400 mm	±10
GT111443-04-Z3	300 mm	±10
GT111443-04-Z2	200 mm	±10
GT111443-04-Z1	100 mm	±10

Item	Part Name	Material / Finish	Q'ty
12	Glue	Epoxy Color: Black	
11	Gasket	Silicone Color: Black	1
10	Cap Rubber Pad	Silicone Color: Black	1
9	Screw Gasket	EPDM Color: Black	4
8	PCB	FR-4 Color: Green	1
7	Cable	UL2725 1P*28AVG+2C*20AWG+Al/My+D+B Color: Black, DD=5.0mm	2
6	Rivet	Aluminum Finish:-	1
5	Screw	Stainless(TP1) Finish:-	4
4	Dust Cover	Thermoplastic Color: Black	1 $\Delta 03$
3	Spring	Stainless Finish:-	1
2	USB-A Receptacle	Housing: Thermoplastic, Color: Black Contacts: Copper Alloy, Finish: Au Plated Shell: Copper Alloy, Finish: Ni Plated	2
1	Housing	Thermoplastic Color: Black	1

TITLE USB-A C4 Panel Square Flange Dual-USB JACK With Cable + Cap						DRAWING NUMBER GT111443-04-XX		REV. 03	
THIRD ANGLE PROJECTION		SIZE B	SCALE 1:1	DRAW / DATE Poter 01/20/14	CHECK / DATE Ray 01/20/14	APPROVE / DATE Ray 01/20/14	TOLERANCES X.X ± 0.5 X.XX ± 0.2	UNIT mm	SHEET 1/1
							X.XXX ± 0.05 ANGLES ± 1°		

GT Contact CO.,LTD

NOTICE OF PROPRIETARY PROPERTY:
THE INFORMATION CONTAINED HEREIN IS THE PROPRIETARY PROPERTY OF GT Contact CO.,LTD THE POSSESSOR AGREES TO THE FOLLOWING:
(A) TO MAINTAIN THIS DOCUMENT IN CONFIDENCE
(B) NOT TO REPRODUCE OR COPY IT
(C) NOT TO REVEAL OR PUBLISH IT IN WHOLE OR PART
(D) ALL RIGHTS RESERVED

1

2

3

4