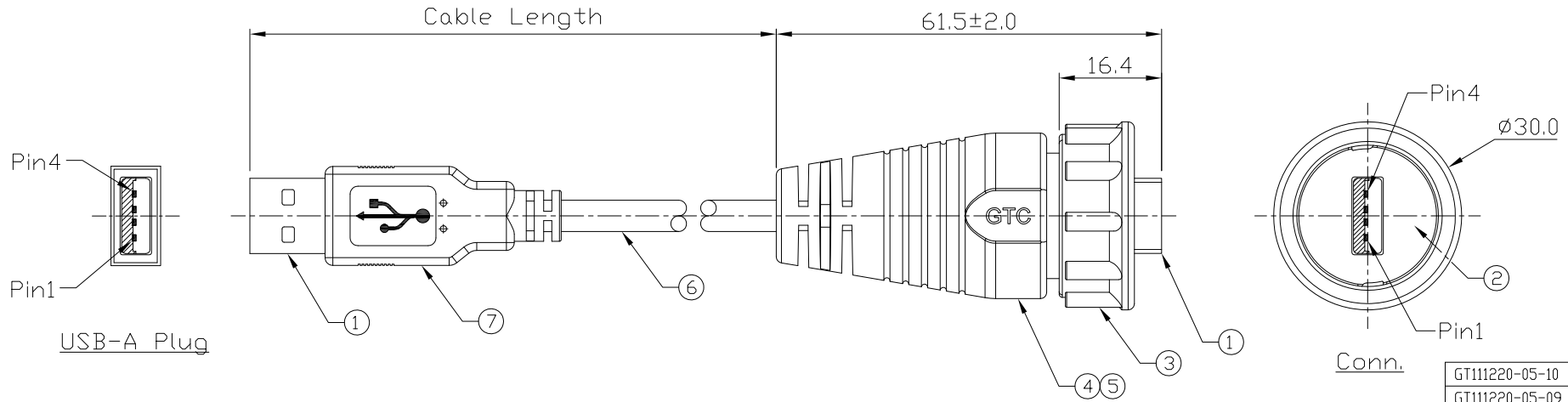
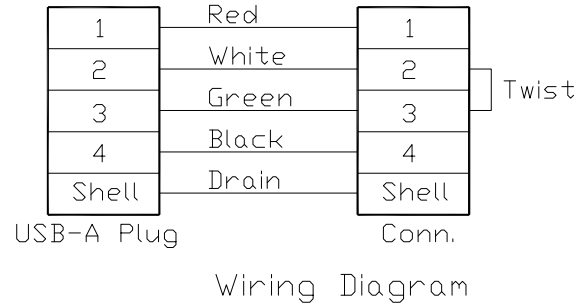


Notes: (Unless Otherwise Specified)
 1. Waterproof Rate: IP67.
 2. RoHS Compliant.

REV	ECN#	DESCRIPTION OF REVISION	DRAW BY DATE	CHECK BY DATE	APPROVE BY DATE
A0		Mass Production	Lucas 04/26/10	Ray 04/26/10	Ray 04/26/10



Item	Part Name	Material / Finish	Q'TY
7	Over Mold	PVC Color: Black	1
6	Cable	UL2725 1P*28AWG+2C*24AWG+Al/My+D+B Color: Black, DD=5.0mm	1
5	Over Mold	PVC Color: Black	1
4	Inner Mold	Thermoplastic Color: Black	2
3	Lock Nut	Thermoplastic Color: Black	1
2	Rubber Pad	Silicone Color: Black	1
1	USB-A Plug	Housing: Thermoplastic, Color: Black Contacts: Copper Alloy, Finish: Au Plated Shell: Cold Roll Steel, Finish: Ni Plated	2



Part No.	Cable Length	Tol.
GT111220-05-10	10000 mm	±500
GT111220-05-09	9000 mm	±450
GT111220-05-08	8000 mm	±400
GT111220-05-07	7000 mm	±150
GT111220-05-06	6000 mm	±150
GT111220-05-05	5000 mm	±150
GT111220-05-04	4000 mm	±150
GT111220-05-03	3000 mm	±150
GT111220-05-02	2000 mm	±100
GT111220-05-01	1000 mm	±50
GT111220-05-Z9	900 mm	±40
GT111220-05-Z8	800 mm	±40
GT111220-05-Z7	700 mm	±40
GT111220-05-Z6	600 mm	±40
GT111220-05-Z5	500 mm	±40
GT111220-05-Z4	400 mm	±20
GT111220-05-Z3	300 mm	±20
GT111220-05-Z2	200 mm	±10

TITLE						DRAWING NUMBER			REV.
USB-A Plastic C4 Cable End Plug Lock With Cable + USB-A Plug						GT111220-05-XX			A0
THIRD ANGLE PROJECTION	SIZE	SCALE	DRAW / DATE	CHECK / DATE	APPROVE / DATE	TOLERANCES	UNIT	SHEET	
	B	1:1	Lucas 04/26/10	Ray 04/26/10	Ray 04/26/10	X.X ± 0.5 X.XX ± 0.2	mm	1/1	
						X.XXX ± 0.05 ANGLES ± 1°			

GT Contact CO.,LTD

NOTICE OF PROPRIETARY PROPERTY:
 THE INFORMATION CONTAINED HEREIN IS THE PROPRIETARY PROPERTY OF GT Contact CO.,LTD THE POSSESSOR AGREES TO THE FOLLOWING:
 (a) TO MAINTAIN THIS DOCUMENT IN CONFIDENCE
 (b) NOT TO REPRODUCE OR COPY IT
 (c) NOT TO REVEAL OR PUBLISH IT IN WHOLE OR PART
 (d) ALL RIGHTS RESERVED