

1

2

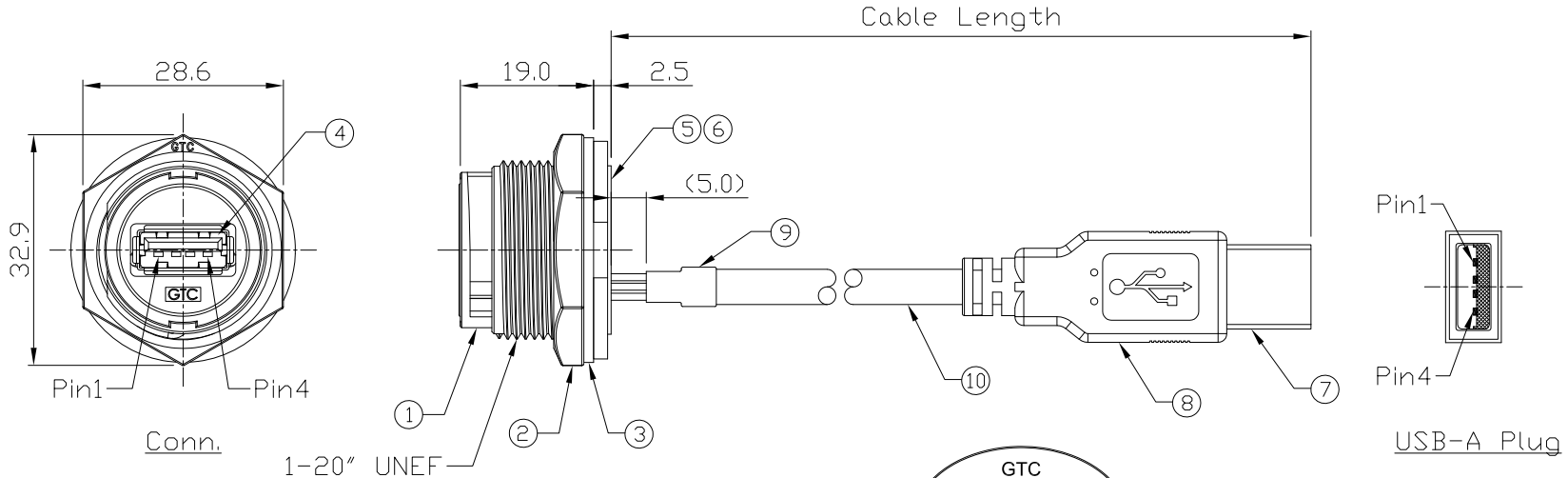
3

4

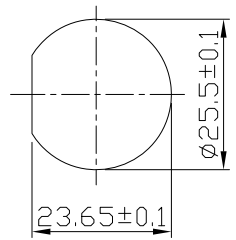
Notes: (Unless Otherwise Specified)

- 1. Waterproof Rate: IP67.
- 2. Recommend Panel Thickness: 0.8 to 6.0 mm.
- 3. Recommend Torque: 19~20 Kgf-cm.
- 4. Mating Cap P/N: GT1C1110X2.
- 5. RoHS Compliant.

REV	ECN#	DESCRIPTION OF REVISION	DRAW BY DATE	CHECK BY DATE	APPROVE BY DATE
A0	ECN-130403	Mass Production	Joyce 04/02/13	Lucas 04/02/13	Ray 04/02/13
A1	ECN-140805	Modify Item 9, Shrink Tube L=10mm to 20mm [△] A1	Joyce 08/07/14	Lucas 08/07/14	Ray 08/07/14



GTC
DOC.CENTER.ISSUE
AUG.19.2014
ONLY FOR
RELEASE



Recommend
Panel Cut-Out



Wiring Diagram

Item	Part Name	Material / Finish	QTY
10	Cable	UL2725 IP*28AWG+2C*24AWG+Al/My+D+B Color: Black, OD=5.0mm	1
9	Shrink Tube	L=20mm Color: Black	1 [△] A1
8	Over Mold	PVC Color: Black	1
7	USB-A Plug	Housing: Thermoplastic, Color: Black Contacts: Copper Alloy, Finish: Au Plated Shell: Cold Roll Steel, Finish: Ni Plated	1
6	Glue	Epoxy Color: Black	
5	PCB	FR-4 Color: —	1
4	USB-A Receptacle	Housing: Thermoplastic, Color: Black Contacts: Copper Alloy, Finish: Au Plated Shell: Copper Alloy, Finish: Ni Plated	1
3	Gasket	Silicone Color: Black	1
2	Hex Nut	Thermoplastic Color: Black	1
1	Housing	Thermoplastic Color: Black	1

Part No.	Cable Length	Tol.
GT111200-05-01	1000 mm	±50
GT111200-05-Z9	900 mm	±40
GT111200-05-Z8	800 mm	±40
GT111200-05-Z7	700 mm	±40
GT111200-05-Z6	600 mm	±40
GT111200-05-Z5	500 mm	±40
GT111200-05-Z4	400 mm	±20
GT111200-05-Z3	300 mm	±20
GT111200-05-Z2	200 mm	±10
GT111200-05-Z1	100 mm	±10

TITLE						DRAWING NUMBER			REV.	
USB-A Plastic C4 Panel Jack Lock With Cable + USB-A Plug						GT111200-05-XX			A1	
THIRD ANGLE PROJECTION	SIZE	SCALE	DRAW / DATE	CHECK / DATE	APPROVE / DATE	TOLERANCES		UNIT	SHEET	
	B	1:1	David 06/21/10	Ray 06/21/10	Ray 06/21/10	X.X ± 0.5 X.XX ± 0.2	X.XXX ± 0.05 ANGLES ± 1°	mm	1/1	

GT Contact CO.,LTD

NOTICE OF PROPRIETARY PROPERTY:
THE INFORMATION CONTAINED HEREIN IS THE PROPRIETARY PROPERTY OF GT Contact CO.,LTD THE POSSESSOR AGREES TO THE FOLLOWING:
(a) TO MAINTAIN THIS DOCUMENT IN CONFIDENCE
(b) NOT TO REPRODUCE OR COPY IT
(c) NOT TO REVEAL OR PUBLISH IT IN WHOLE OR PART
(d) ALL RIGHTS RESERVED

1

2

3

4