



ZIPPY TECHNOLOGY CORP.



10F, NO.50, MIN CHYUAN ROAD,  
SHIN-TIEN CITY, TAIPEI COUNTY,  
TAIWAN, R.O.C

TEL: 886-2-2918-8512 / 886-2-2918-0603  
FAX: 886-2-2915-5765 / 886-22916-0215  
[Http://www.zippy.com.tw](http://www.zippy.com.tw)

### APPROVED DATA SHEET

-----  
**Model: 1001560443(VA2-26Q0-00E0-Z)**  
=====

ISSUED DATE: 2019.04.17  
APPROVED NO.: 1001560443.C  
PAGE: 1/4

The undersigned guarantee of the model switches is meets the following specifications.

#### 1.Operation Characteristics

Operating Force (OF) : Max.330 gf  
Releasing Force (RF) : Min.60 gf  
Operating Position (OP) : 14.7 ± 0.5 mm  
Movement Differential (MD) : Max. 0.4 mm  
Over-travel (OT) : Min. 0.8 mm  
Pre-travel (PT) : Max. 1.72 mm

#### 2. Specifications

Initial Contact Resistance : Max. 100 mΩ. (Initial)  
( Measured by ohm meter –Open Voltage<1VDC, Driver current -100mA )  
Before measure the switch contact resistance, please press the switch three times on and off.

Initial Dielectric Strength : 500VAC(50-60HZ)/minute between contacts.  
1,500VAC(50-60HZ)/minute between Live-parts and dead metal parts.

Insulation Resistance : Min. 100 MΩ( 500 VDC/ minute ).

Circuit Arrangement : SPDT ( Single pole double throw )

Rating : 26A 125/250VAC

Service Life : Min. 10,000 operations.

Operating Frequency : 10~30 operations per minute.

Rating Load : Resistive Load ( R Load ).

Safety Certificate : UL, cUL, ENEC

Operating application of the switch : Set the switch pushing distance from 60% to 90% of the specified OT value.



10F, NO.50, MIN CHYUAN ROAD,  
SHIN-TIEN CITY, TAIPEI COUNTY,  
TAIWAN, R.O.C

TEL: 886-2-2918-8512 / 886-2-2918-0603  
FAX: 886-2-2915-5765 / 886-22916-0215  
[Http://www.zippy.com.tw](http://www.zippy.com.tw)

## APPROVED DATA SHEET

Model: 1001560443(VA2-26Q0-00E0-Z)

ISSUED DATE: 2019.04.17  
APPROVED NO.: 1001560443.C  
PAGE: 2/4

### 3. Environments

- Operating Temperature : -40°C ~ 55°C ( with no icing )
- Vibration Resistance : 10~55Hz, displacement 0.75mm(p-p) 2hr
- Shock Resistance : Destruction: 1,000 m/s<sup>2</sup> {approx. 100G} max.  
Malfunction: 300 m/s<sup>2</sup> {approx. 30G} max.

( For the pin plunger models, the vibration & shock condition apply for use at the free position and total travel position )

( For the lever models, the vibration & shock condition apply for use at the total travel position )

- Soldering by hand : 350 °C maximum within 3 seconds.

ZIPPY TECHNOLOGY CORP.

黃玉燕

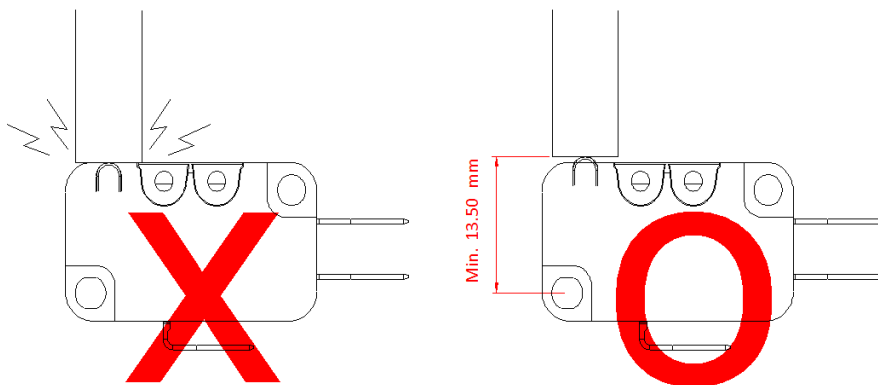
PREPARED

戴明倫

CHECKED

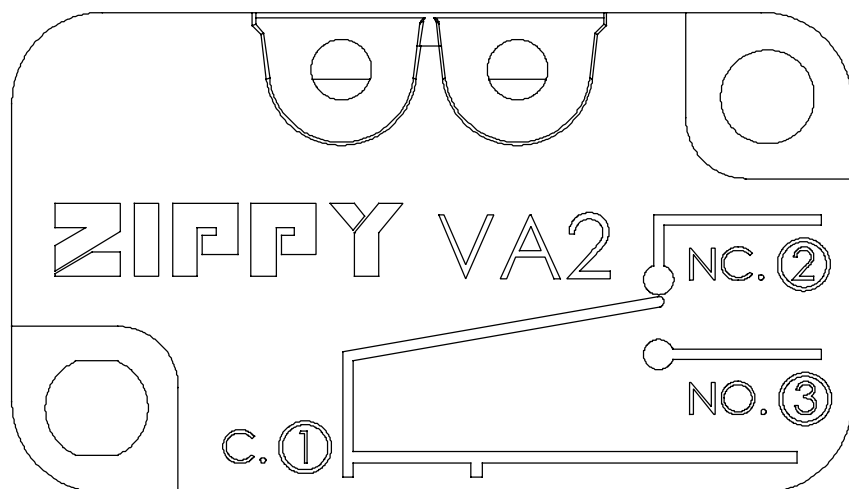
倪有庭

APPROVED

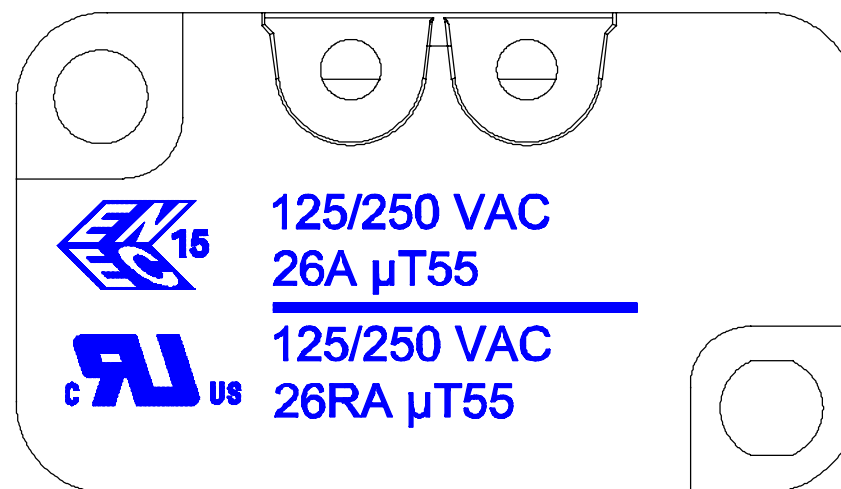




Marking drawing



**COVER**



**CASE**

Markings are either by printing or molding

新巨企業股份有限公司

**ZIPPY** TECHNOLOGY CORP.

VIEW		SIZE	A4	UNIT	mm
DATE	2016/12/21	VER.	12	FILE NAME	VA2-26
APPROVAL	倪有庭	CONFIRM	陳維塘	DESIGN	李東軒