



ZIPPY TECHNOLOGY CORP.



10F, NO.50, MIN CHYUAN ROAD,
SHIN-TIEN CITY, TAIPEI COUNTY,
TAIWAN, R.O.C

TEL: 886-2-2918-8512 / 886-2-2918-0603
FAX: 886-2-2915-5765 / 886-22916-0215
[Http://www.zippy.com.tw](http://www.zippy.com.tw)

APPROVED DATA SHEET

Model: 1001560052(VA2-20S3-00D0-Z)
=====

ISSUED DATE: OCT.30.2015
APPROVED NO.: 1001560052.C
PAGE: 1/4

The undersigned guarantee of the model switches is meets the following specifications.

1.Operation Characteristics

Operating Force (OF) : Max.170 gf
Releasing Force (RF) : Min.34 gf
Operating Position (OP) : 14.7 ± 0.5 mm
Movement Differential (MD) : Max. 0.4 mm
Over-travel (OT) : Min. 0.8 mm
Pre-travel (PT) : Max. 1.72 mm

2. Specifications

Initial Contact Resistance : Max. 100 mΩ. (Initial)
(Measured by ohm meter –Open Voltage<1VDC, Driver current -100mA)
Before measure the switch contact resistance, please press the switch three times on and off.

Initial Dielectric Strength : 500VAC(50-60HZ)/minute between contacts.
1,500VAC(50-60HZ)/minute between Live-parts and dead metal parts.

Insulation Resistance : Min. 100 MΩ(500 VDC/ minute).

Circuit Arrangement : SPDT (Single pole double throw)

Rating : 20A 125/250VAC

Service Life : Min. 10,000 operations.

Operating Frequency : 10~30 operations per minute.

Rating Load : Resistive Load (R Load).

Safety Certificate : UL, cUL, ENEC

Operating application of the switch : Set the switch pushing distance from 60% to 90% of the specified OT value.



ZIPPY TECHNOLOGY CORP.



10F, NO.50, MIN CHYUAN ROAD,
SHIN-TIEN CITY, TAIPEI COUNTY,
TAIWAN, R.O.C

TEL: 886-2-2918-8512 / 886-2-2918-0603
FAX: 886-2-2915-5765 / 886-22916-0215
[Http://www.zippy.com.tw](http://www.zippy.com.tw)

APPROVED DATA SHEET

Model: 1001560052(VA2-20S3-00D0-Z)
=====

ISSUED DATE: OCT.30.2015
APPROVED NO.: 1001560052.C
PAGE: 2/4

3. Environments

- Operating Temperature : -40°C ~ 125°C (with no icing)
- Vibration Resistance : 10~55Hz, displacement 0.75mm(p-p) 2hr
- Shock Resistance : Destruction: 1,000 m/s² {approx. 100G} max.
Malfunction: 300 m/s² {approx. 30G} max.

(For the pin plunger models, the vibration & shock condition apply for use at the free position and total travel position)
(For the lever models, the vibration & shock condition apply for use at the total travel position)

- Soldering by hand : 350 °C maximum within 3 seconds.

ZIPPY TECHNOLOGY CORP.

沈俊榮

PREPARED

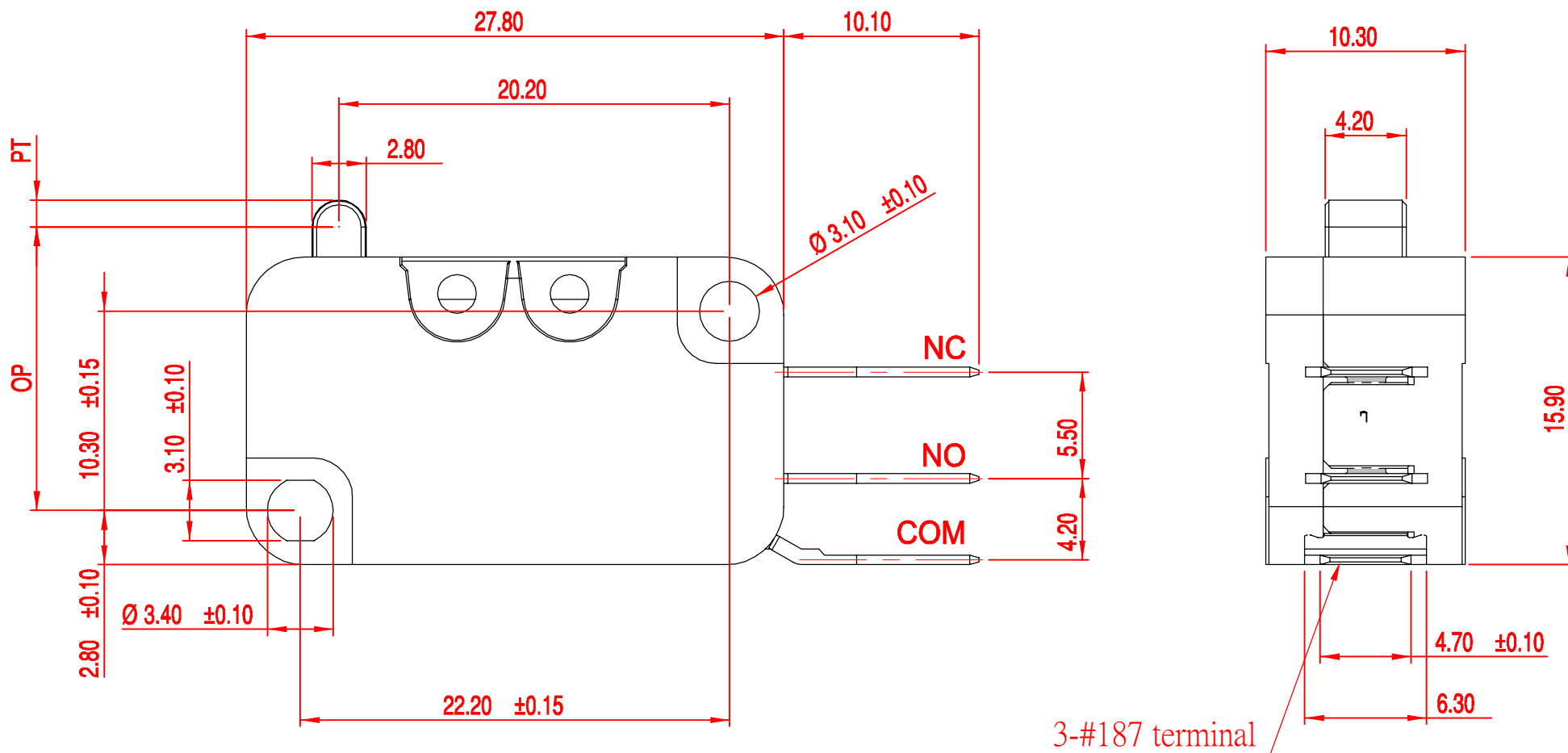
張立人

CHECKED

張哲維

APPROVED

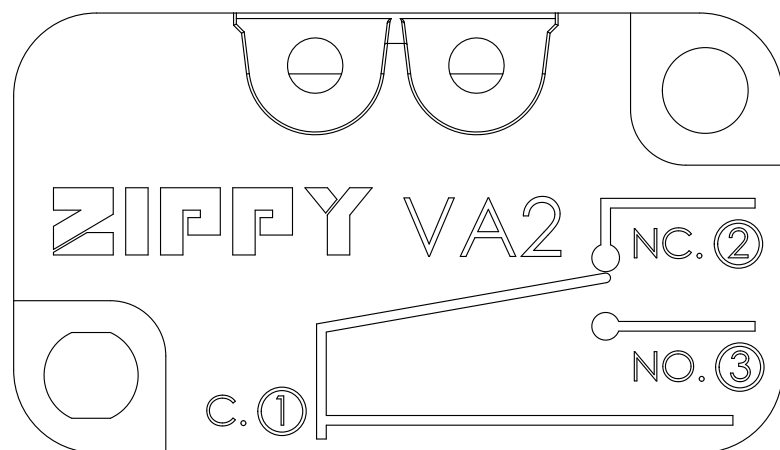
Dimensions drawing



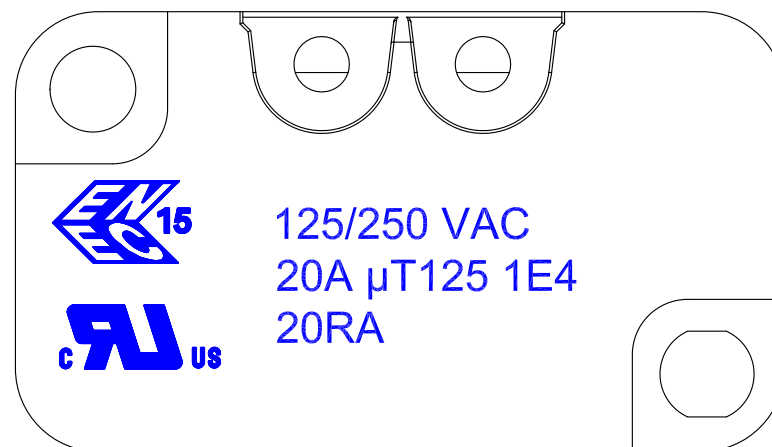
Tolerance	
X. X	± 0.2
XX. X	± 0.4

VIEW		SIZE	A4	UNIT	mm
DATE	JAN-03-2013	VER.	1.1	FILE NAME	VA2-300D0
APPROVAL	李金龍	CONFIRM	張哲維	DESIGN	沈俊榮

Marking drawing



COVER



CASE

Markings are either by printing or molding

新巨企業股份有限公司

ZIPPY TECHNOLOGY CORP.

VIEW		SIZE	A4	UNIT	mm
DATE	JUL-18-2014	VER.	1.2	FILE NAME	VA2-20
APPROVAL	沈俊榮	CONFIRM	陳立業	DESIGN	張立人