



ZIPPY TECHNOLOGY CORP.



10F, NO.50, MIN CHYUAN ROAD,  
SHIN-TIEN CITY, TAIPEI COUNTY,  
TAIWAN, R.O.C

TEL: 886-2-2918-8512 / 886-2-2918-0603  
FAX: 886-2-2915-5765 / 886-22916-0215  
[Http://www.zippy.com.tw](http://www.zippy.com.tw)

### APPROVED DATA SHEET

-----  
**Model: 1001561019(VA2-16S1-03H0-Z)**  
=====

ISSUED DATE: JUL.31.2017  
APPROVED NO.: 1001561019.A  
PAGE: 1/4

The undersigned guarantee of the model switches is meets the following specifications.

#### 1.Operation Characteristics

Operating Force (OF) : Max.49 gf  
Releasing Force (RF) : Min.7 gf  
Operating Position (OP) : 15.3 ±2.5 mm  
Movement Differential (MD) : Max.2.1 mm  
Pre-travel (PT) : Max.9.3 mm

#### 2. Specifications

Initial Contact Resistance : Max. 100 mΩ. (Initial)  
( Measured by ohm meter –Open Voltage<1VDC, Driver current -100mA )  
Before measure the switch contact resistance, please press the switch three times on and off.

Initial Dielectric Strength : 500VAC(50-60HZ)/minute between contacts.  
1,500VAC(50-60HZ)/minute between Live-parts and dead metal parts.

Insulation Resistance : Min. 100 MΩ( 500 VDC/ minute ).

Circuit Arrangement : SPDT ( Single pole double throw )

Rating : 16A 125/250VAC ; 16(4)A 125/250VAC  
1/2HP 125/250VAC

Service Life : Min. 10,000 operations.

Operating Frequency : 10~30 operations per minute.

Rating Load : Inductive Load ( GP Load ) ; Resistive Load ( R Load ).  
Resistive & Motor Load ( R-M Load ) ; hp Load

Safety Certificate : UL, cUL, ENEC

Operating application of the switch : Set the switch pushing distance from 60% to 90% of the specified OT value.



ZIPPY TECHNOLOGY CORP.



10F, NO.50, MIN CHYUAN ROAD,  
SHIN-TIEN CITY, TAIPEI COUNTY,  
TAIWAN, R.O.C

TEL: 886-2-2918-8512 / 886-2-2918-0603  
FAX: 886-2-2915-5765 / 886-22916-0215  
[Http://www.zippy.com.tw](http://www.zippy.com.tw)

**APPROVED DATA SHEET**

-----  
**Model: 1001561019(VA2-16S1-03H0-Z)**  
=====

ISSUED DATE: JUL.31.2017  
APPROVED NO.: 1001561019.A  
PAGE: 2/4

**3. Environments**

- Operating Temperature : -40°C ~ 125°C ( with no icing )
- Vibration Resistance : 10~55Hz, displacement 0.75mm(p-p)
- Shock Resistance : Destruction: 1,000 m/s<sup>2</sup> {approx. 100G} max.  
Malfunction: 300 m/s<sup>2</sup> {approx. 30G} max.

( For the pin plunger models, the vibration & shock condition apply for use at the free position and total travel position )

( For the lever models, the vibration & shock condition apply for use at the total travel position )

- Soldering by hand : 350 °C maximum within 3 seconds.

ZIPPY TECHNOLOGY CORP.

黃玉燕

-----  
PREPARED

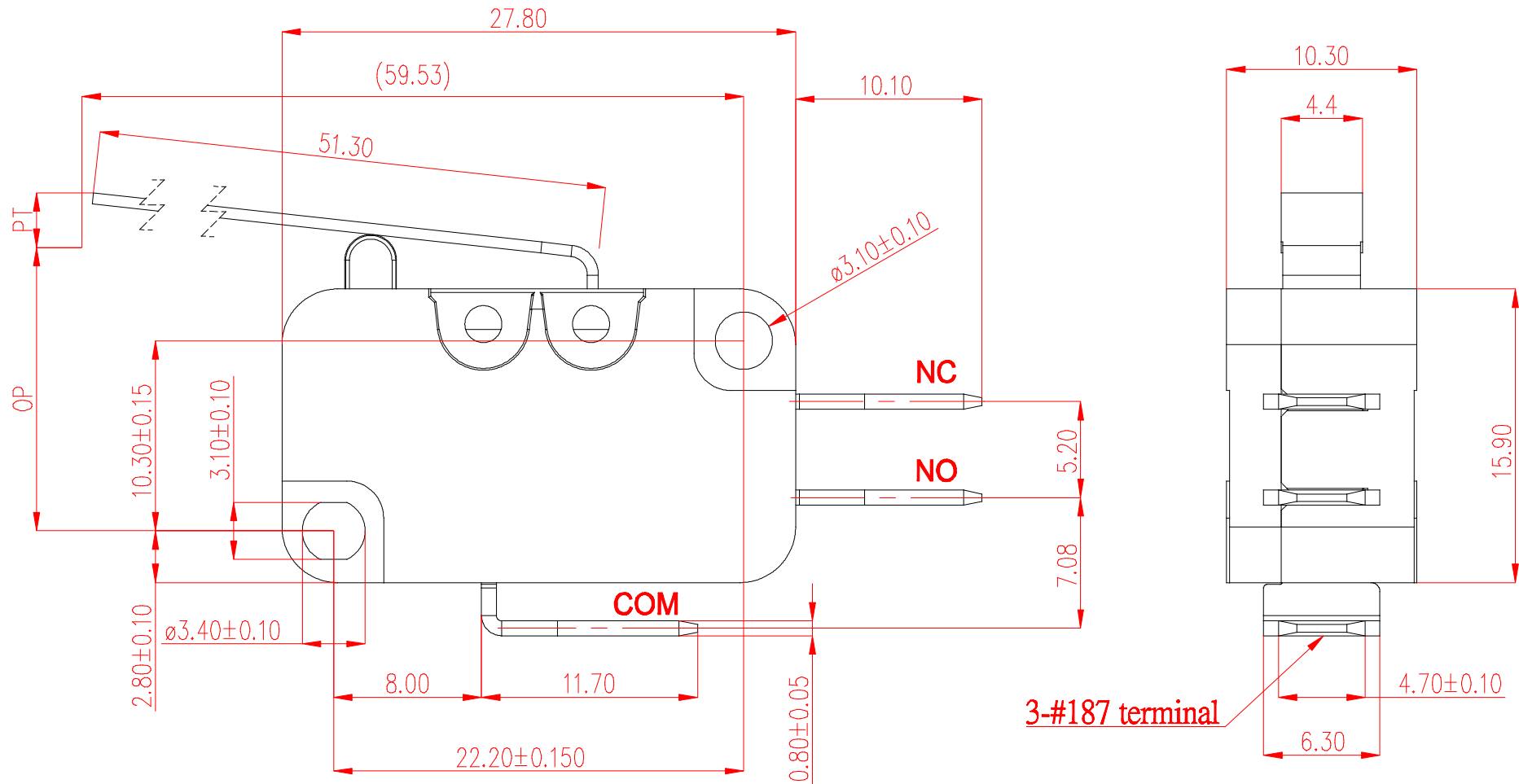
李東軒

-----  
CHECKED

倪有庭

-----  
APPROVED

# Dimensions drawing



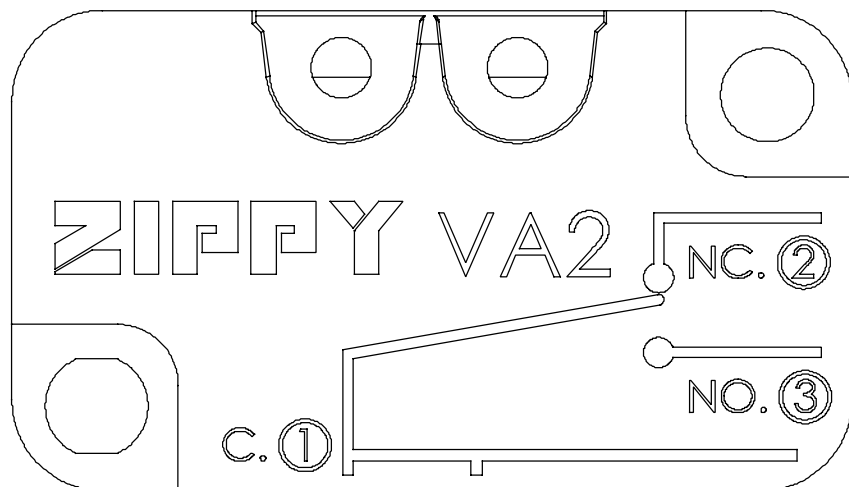
Tolerance	
X.X	± 0.2
XX.X	± 0.4

VIEW		SIZE	A4	UNIT	mm
DATE	AUG-05-2016	VER.	1.0	FILE NAME	VA2-103H0
APPROVAL	沈俊榮	CONFIRM	陳立業	DESIGN	張立人

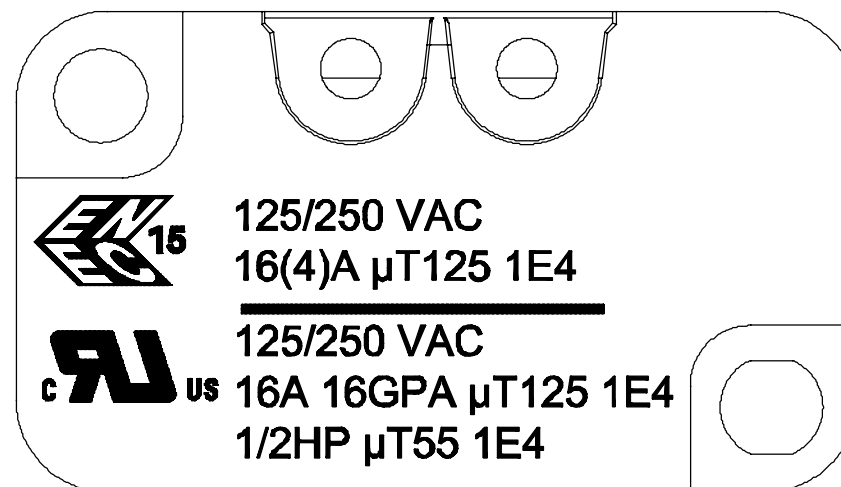
新巨企業股份有限公司

**ZIPPY** TECHNOLOGY CORP.

Marking drawing



**COVER**



**CASE**

Markings are either by printing or molding

新巨企業股份有限公司

**ZIPPY** TECHNOLOGY CORP.

VIEW		SIZE	A4	UNIT	mm
DATE	2016.12.15	VER.	1.5	FILE NAME	VA2-16
APPROVAL	張哲維	CONFIRM	陳維塘	DESIGN	李東軒