



ZIPPY TECHNOLOGY CORP.



10F, NO.50, MIN CHYUAN ROAD,
SHIN-TIEN CITY, TAIPEI COUNTY,
TAIWAN, R.O.C

TEL: 886-2-2918-8512 / 886-2-2918-0603
FAX: 886-2-2915-5765 / 886-22916-0215
[Http://www.zippy.com.tw](http://www.zippy.com.tw)

APPROVED DATA SHEET

Model: 1001560267(VA2-16Q3-00D0-Z)

ISSUED DATE: 2019.06.24
APPROVED NO.: 1001560267.E
PAGE: 1/4

The undersigned guarantee of the model switches is meets the following specifications.

1.Operation Characteristics

Operating Force (OF) : Max. 330 gf
Releasing Force (RF) : Min. 60 gf
Operating Position (OP) : 14.7±0.5 mm
Movement Differential (MD) : Max. 0.4 mm
Over-travel (OT) : Min. 0.8 mm
Pre-travel (PT) : Max. 1.72 mm

2. Specifications

Initial Contact Resistance : Max. 100 mΩ. (Initial) (For molded lead wire models)
(Measured by ohm meter –Open Voltage<1VDC, Driver current -100mA)
Before measure the switch contact resistance, please press the switch three times on and off.

Initial Dielectric Strength : 500VAC(50-60HZ)/minute between contacts.
1,500VAC(50-60HZ)/minute between Live-parts and dead metal parts.

Insulation Resistance : Min. 100 MΩ(500 VDC/ minute).

Circuit Arrangement : SPDT (Single pole double throw)

Rating : 16A 125/250VAC ; 16(4)A 125/250VAC
1/2HP 125/250VAC

Service Life : Min. 10,000 operations.

Operating Frequency : 10~30 operations per minute.

Rating Load : Inductive Load (GP Load) ; Resistive Load (Load).
Resistive & Motor Load (R-M Load) ; hp Load

Safety Certificate : UL, cUL, ENEC

Operating application of the switch : Set the switch pushing distance from 60% to 90% of the specified OT value.



10F, NO.50, MIN CHYUAN ROAD,
SHIN-TIEN CITY, TAIPEI COUNTY,
TAIWAN, R.O.C

TEL: 886-2-2918-8512 / 886-2-2918-0603
FAX: 886-2-2915-5765 / 886-22916-0215
[Http://www.zippy.com.tw](http://www.zippy.com.tw)

APPROVED DATA SHEET

Model: 1001560267(VA2-16Q3-00D0-Z)

ISSUED DATE: 2019.06.24
APPROVED NO.: 1001560267.E
PAGE: 2/4

3. Environments

- Operating Temperature : -40°C ~ 125°C (with no icing)
- Vibration Resistance : 10~55Hz, displacement 0.75mm(p-p)
- Shock Resistance : Destruction: 1,000 m/s² {approx. 100G} max.
Malfunction: 300 m/s² {approx. 30G} max.

(For the pin plunger models, the vibration & shock condition apply for use at the free position and total travel position)

(For the lever models, the vibration & shock condition apply for use at the total travel position)

- Soldering by hand : 350 °C maximum within 3 seconds.

ZIPPY TECHNOLOGY CORP.

黃玉燕

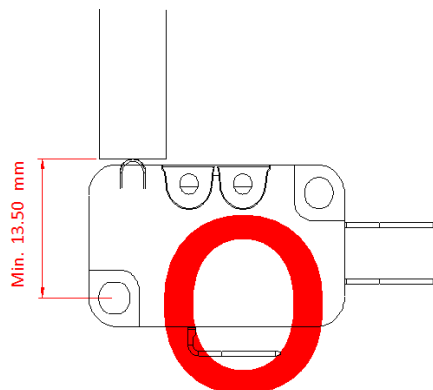
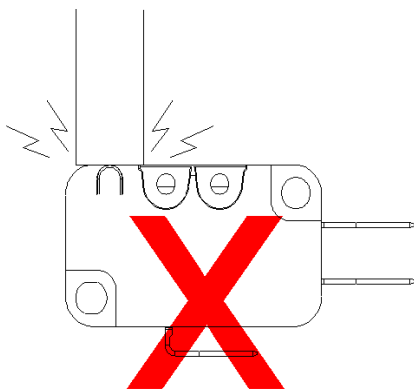
PREPARED

戴明倫

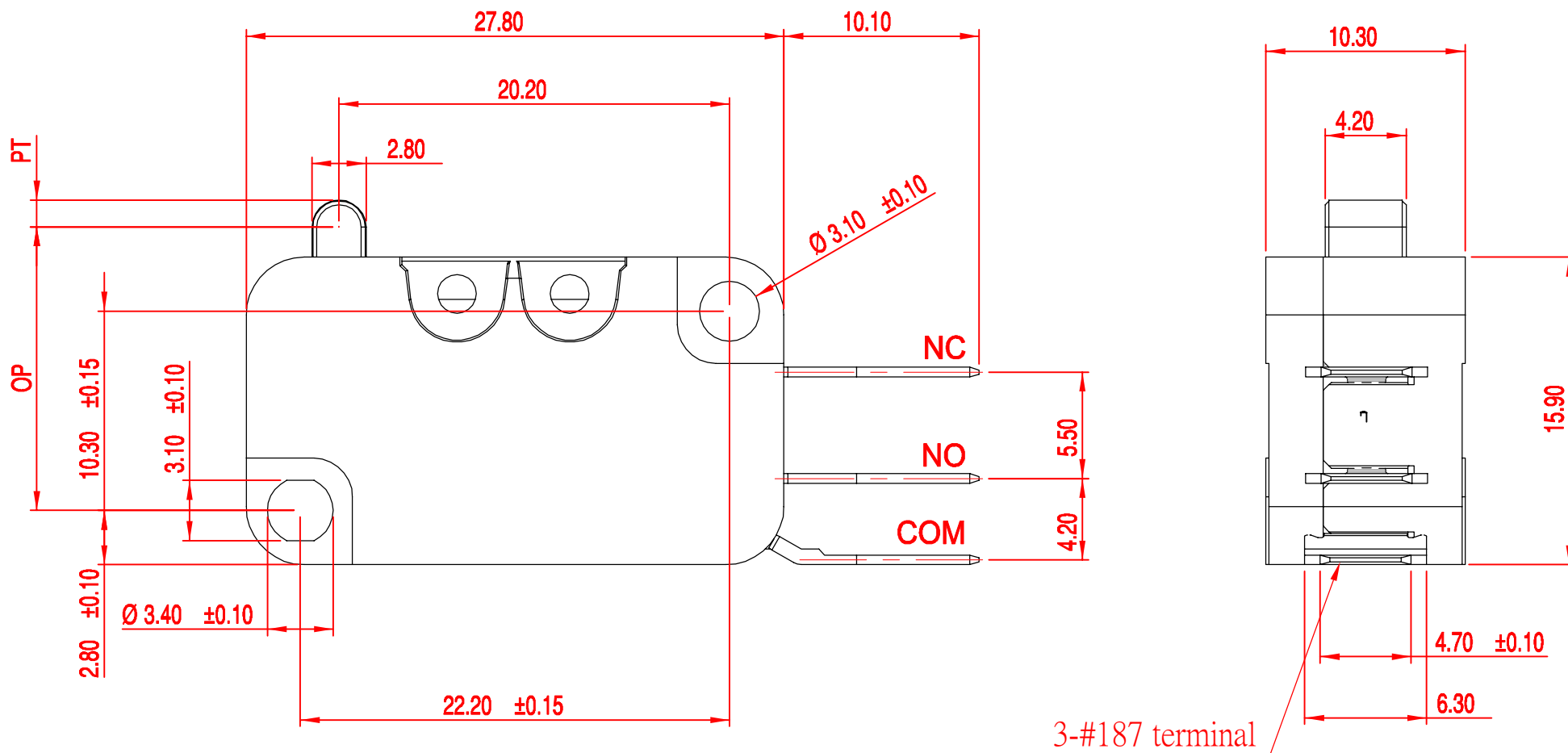
CHECKED

倪有庭

APPROVED



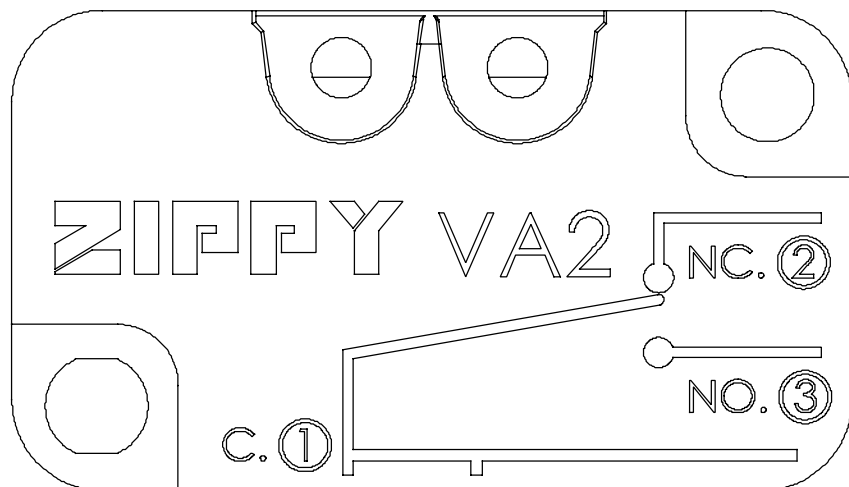
Dimensions drawing



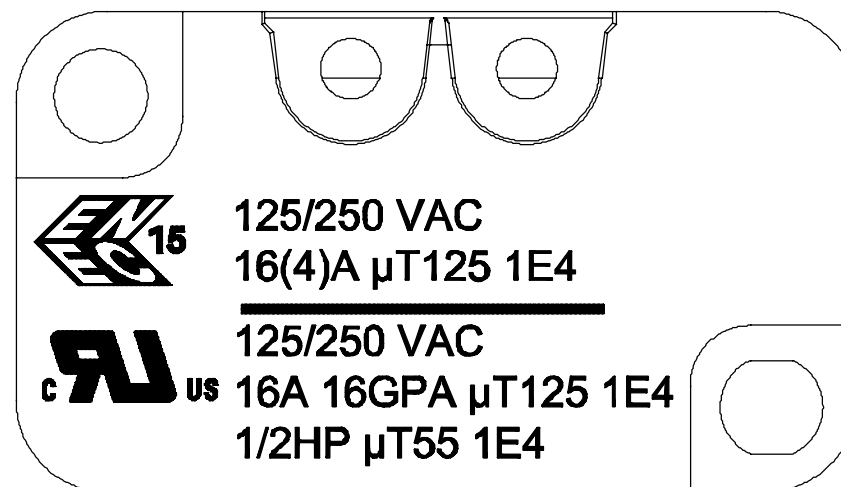
Tolerance	
X. X	± 0.2
XX. X	± 0.4

VIEW	SIZE	UNIT
	A4	mm
DATE	VER.	FILE NAME
JAN-03-2013	1.1	VA2-300D0
APPROVAL	CONFIRM	DESIGN
李金龍	張哲維	沈俊榮

Marking drawing



COVER



CASE

Markings are either by printing or molding

新巨企業股份有限公司

ZIPPY TECHNOLOGY CORP.

VIEW		SIZE	A4	UNIT	mm
DATE	2016.12.15	VER.	1.5	FILE NAME	VA2-16
APPROVAL	張哲維	CONFIRM	陳維塘	DESIGN	李東軒