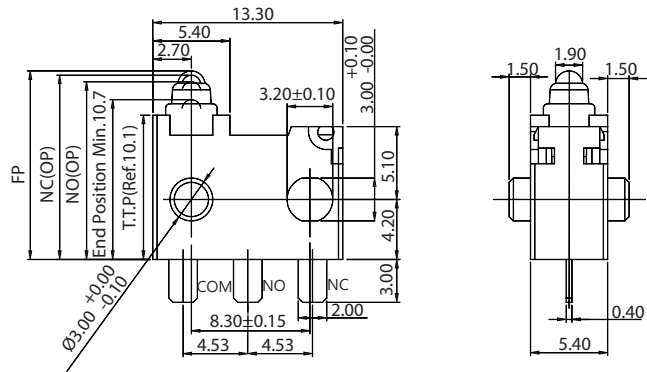


# WATER PROOF SWITCHES

## DIMENSIONS

Unless otherwise specified, a tolerance of  $\pm 0.4\text{mm}$  applies to all dimensions



## DW3 SERIES

### SPECIFICATIONS

#### Contact Resistance ( initial )

Max. 1 $\Omega$

Measured by ohm meter –Open Voltage <1VDC, Driver current -100mA

#### Insulation Resistance ( at 100VDC/minute )

Min. 100M $\Omega$

#### Dielectric Strength

Min. 600VAC(50-60HZ)/minute between Live parts.

#### Operating Temperature Range

-40°C to 85°C ( with no icing )

#### Vibration

10~55Hz, displacement 0.75 mm (p-p)

#### Electrical Service Life

100mA 30VDC- Min. 300,000 operations

50mA 16VDC- Min. 500,000 operations

1mA 5VDC- Min. 500,000 operations

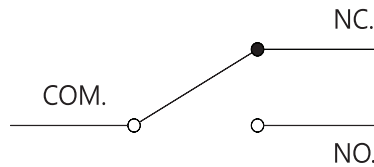
#### Electrical Operating Frequency

Max. 120 operations per minute

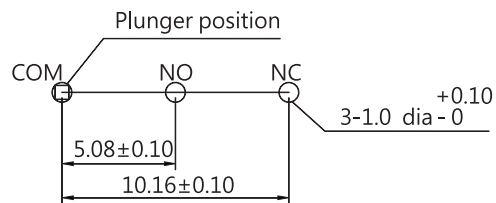
#### Operating application of the switch

Set the switch pushing distance from 60% to 90% of the specified OT value

### CONTACT CONFIGURATION



### MOUNTING HOLES



### APPLICATION

Automobiles

(detection of door opening and closing and shift lever position, etc.)

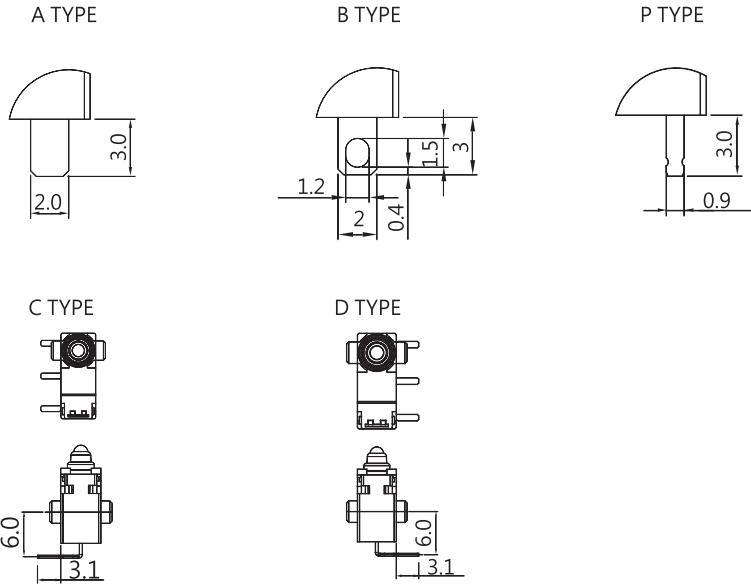
Household appliances

(propane stoves, vacuum cleaners, air conditioners, washing machines, etc.)

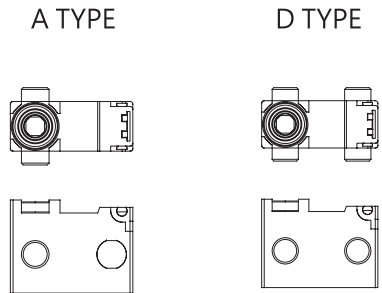
### ORDERING INFORMATION

D	W	3	-	G	1	S	-	0	0	A	0	A	-	0	A	-	Z
SERIES PREFIX	CODE	RATING CURRENT	CODE	OPERATING FORCE	CODE	ACTUATOR TYPE	CODE	TERMINAL TYPE	CODE	CIRCUIT ARRANGEMENT	CODE	PILLAR TYPE	SERIAL CODE	ROHS CODE	DIMENSIONS L1		
	P1	0.1A 30VDC 0.05A 16VDC 0.001A 5VDC Contact Plated Silver	S	STANDARD	00		A		0	S.P.D.T	A						
	G1	0.1A 30VDC 0.05A 16VDC 0.001A 5VDC Contact Plated Gold			A01		B				D						
							C				P						
							D										
							P										

TERMINAL TYPES( THE thickness of each terminal is 0.4 mm )



COVER TYPES ( PILLAR & TRAVEL TYPES )



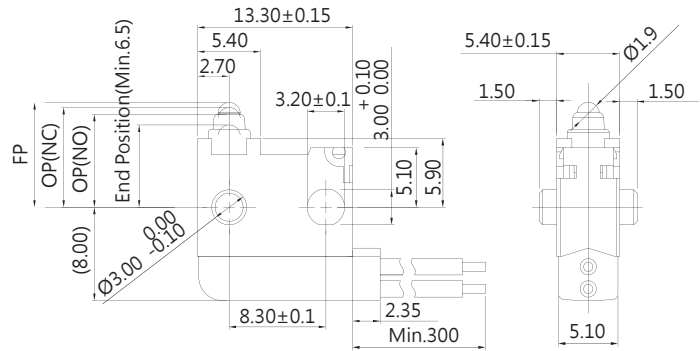
OPERATING CHARACTERISTICS

SWITCH TYPE	PART SUFFIX	OF Max (gf)	FP Max (mm)	NC-OP (mm)	NO-OP (mm)	NC-OT Min.(mm)	NO-OT Min. (mm)
DW3- □□ -00A0-Z		S	153	13.4	12.9±0.3	2.5	2.2
				9.2	8.7±0.3		
DW3- □□ -A01A0-Z		S	185	15.7	14.0±0.6	3.0	2.45
				11.5	9.8±0.6		

# WATER PROOF SWITCHES

## DIMENSIONS

Unless otherwise specified, a tolerance of  $\pm 0.4\text{mm}$  applies to all dimensions



## DW3 (IP67) SERIES

### APPLICATION

- Automobiles  
(detection of door opening and closing and shift lever position, etc.)
- Household appliances  
(propane stoves, vacuum cleaners, air conditioners Washing machines, etc.)

### ORDERING INFORMATION

D	W	3	-	G	1	S	-	00	A	0	-	M	F	001	A	-	Z
SERIES PREFIX	CODE	RATING CURRENT	CODE	OPERATING FORCE	CODE	ACTUATOR TYPE	CODE	PILLAR TYPE	CODE	CIRCUIT ARRANGEMENT	CODE	AWG TYPE	CODE	UL NUMBER	SERIAL CODE	SPECIAL CODE	ROHS CODE
	P1	0.1A 30VDC 0.05A 16VDC 0.001A 5VDC Contact Plated Silver	S	STANDARD	00		A		0	0 S.P.D.T	M	0.3mm <sup>2</sup>	0	AVSS	A		
	G1	0.1A 30VDC 0.05A 16VDC 0.001A 5VDC Contact Plated Gold			A01		B		1	1 S.P.S.T-NO					B		
							C		2	2 S.P.D.T-NC					C		

NOTE: S.P.D.T only for bottom side

CODE	L1	H	ØA	ØB	ØC	ØD	P
A	1.5	5.9	3.0	HOLE 3.2	HOLE 3.0	N/A	8.3
B	5.0	5.9	2.2	2.2	2.6	2.6	8.3
C	1.5	5.9	3.0	3.0	N/A	N/A	8.3