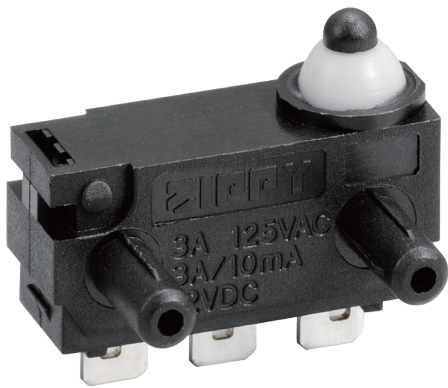


# WATER PROOF SWITCHES



## DW SERIES

### SPECIFICATIONS

#### Contact Resistance(initial)

Max. 100 mΩ

Measured by ohm meter - open voltage <1 VDC, driver current -100 mA

#### Insulation Resistance(at 250 VDC / minute)

Min. 100 MΩ

#### Dielectric Strength

150 VAC(50~ 60 Hz)

#### Operating Temperature Range

-40°C to 85°C (with no icing)

#### Vibration

10~55 Hz, displacement 0.75 mm(p-p)

#### Electrical Service Life

10 mA - Min. 500,000 operations

3A - Min. 6,000 operations

#### Electrical Operating Frequency

10mA-120 operations per minute

3A-10~30 operations per minute

#### Mechanical Service Life

Min. 500,000 operations

#### Mechanical Operating Frequency

120 operations per minute

### APPLICATIONS

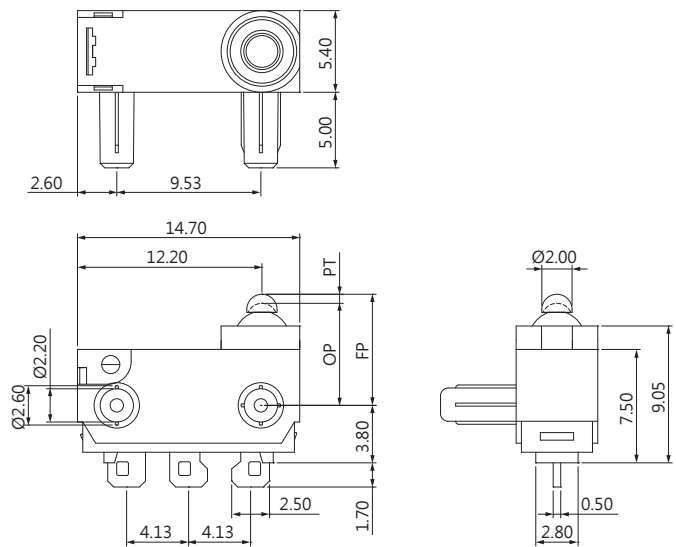
Automotive (Seat Belt, Door Latch, Engine Hood, Door Trunk), Air Conditioner, Communication, Security System, Electric Tooth Brush, Toy

### CERTIFICATE INFORMATION

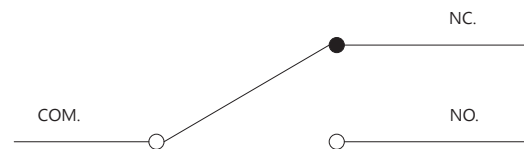
Model Name	UL, cUL	ENEC14
DW-N2S	10 mA 12 VDC (Temp65°C), Min. 10,000 operations	10 mA 12 VDC, μ 5E5
DW-N3S	3 A 12 VDC (Temp65°C) Min. 100,000 operations 3 A 125 VAC (Temp65°C) Min. 6,000 operations	3 A 12 VDC, μ 1E5

### DIMENSIONS

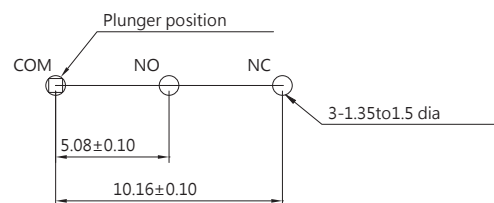
Unless otherwise specified, a tolerance of ±0.4mm applies to all dimensions.



### CONTACT CONFIGURATION



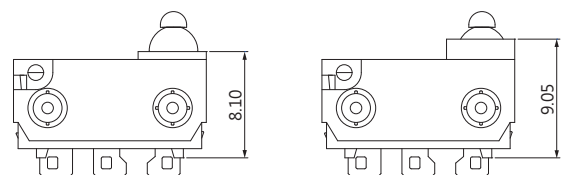
### MOUNTING HOLES FOR PCB TERMINAL



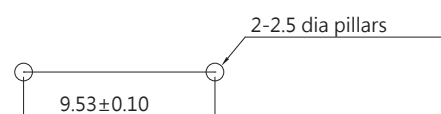
### TRAVEL TYPES

LONG TRAVEL

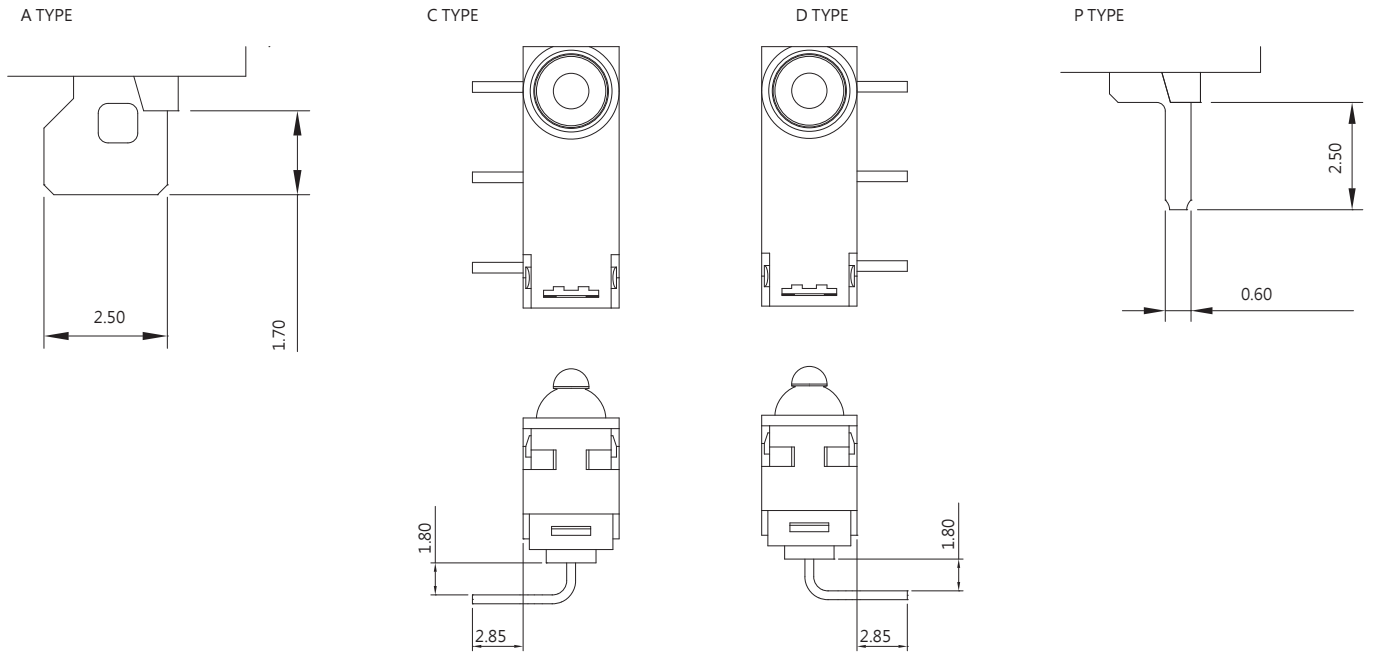
SHORT TRAVEL



### PILLAR PITCH

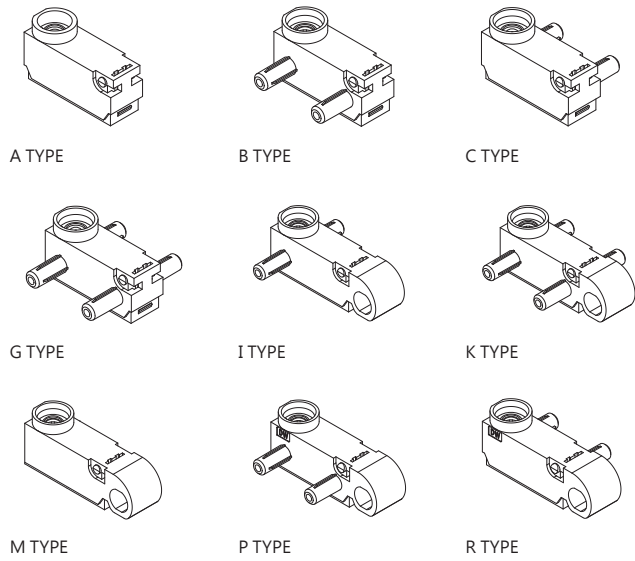


TERMINAL TYPES (THE thickness of each terminal is 0.5mm)

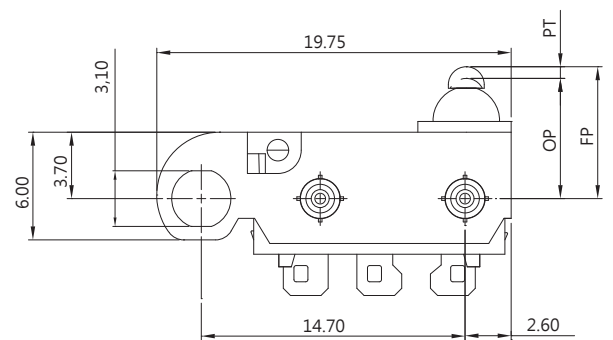
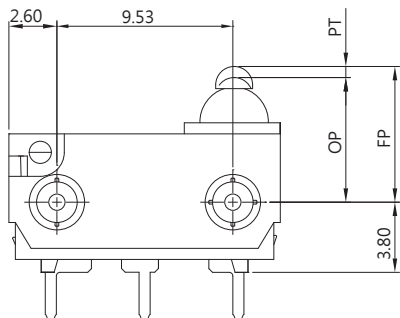
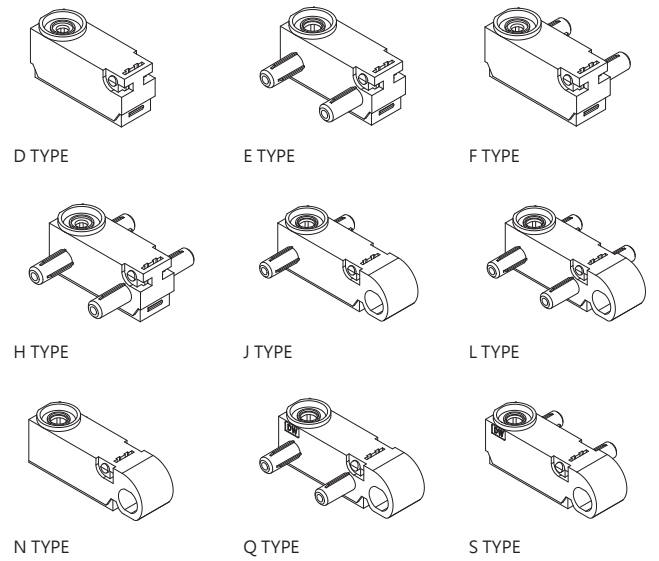


COVER TYPES ( PILLAR & TRAVEL TYPES )

SHORT TRAVEL



LONG TRAVEL



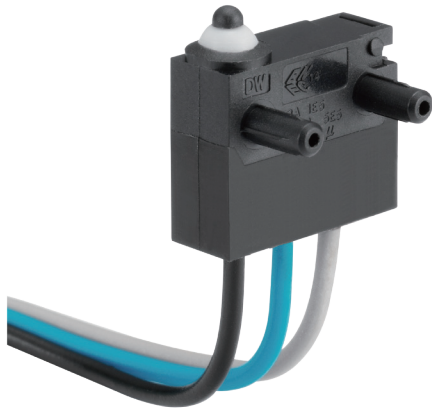
**ORDERING INFORMATION**

D	W	-	N	2	-	S	-	0	1	-	A	-	0	-	A	-	0	A	-	Z																																																													
SERIES PREFIX	CODE	RATING CURRENT	CODE	OPERATING FORCE	CODE	ACTUATOR TYPE	CODE	TERMINAL TYPE	CODE	CIRCUIT ARRANGEMENT	CODE	PILLAR & TRAVEL TYPE	SPECIAL CODE	ROHS CODE	DIMENSIONS																																																																		
	N2	10mA 12VDC Contact Plated Gold and Terminal Plated Sliver	S	STANDARD	00		A		0	S.P.D.T	A																																																																						
	N3	3A 12VDC 3A 125VAC Terminal Plated Sliver and Contact is Sliver			01		C		1	S.P.S.T NO ONLY TERMINAL TYPE C D P	B		<table border="1"> <thead> <tr> <th>CODE</th> <th>L1</th> <th>H</th> <th>ΦA</th> <th>ΦB</th> <th>ΦC</th> <th>ΦD</th> <th>P</th> </tr> </thead> <tbody> <tr> <td>A</td> <td>2.0</td> <td>3.7</td> <td>2.2</td> <td>2.6</td> <td>2.2</td> <td>2.6</td> <td>9.53</td> </tr> <tr> <td>B</td> <td>3.5</td> <td>3.7</td> <td>2.2</td> <td>2.6</td> <td>2.2</td> <td>2.6</td> <td>9.53</td> </tr> <tr> <td>C</td> <td>2.8</td> <td>3.75</td> <td>2.7</td> <td>3.1 (THREE RIBS)</td> <td>2.2</td> <td>2.6</td> <td>9.53</td> </tr> <tr> <td>D</td> <td>4.0</td> <td>3.7</td> <td>2.2</td> <td>2.6</td> <td>2.2</td> <td>2.6</td> <td>9.53</td> </tr> <tr> <td>E</td> <td>0.9</td> <td>3.7</td> <td>2.2</td> <td>N/A</td> <td>2.2</td> <td>N/A</td> <td>9.53</td> </tr> <tr> <td>F</td> <td>1.8</td> <td>3.7</td> <td>2.5</td> <td>N/A</td> <td>2.5</td> <td>N/A</td> <td>9.53</td> </tr> <tr> <td>G</td> <td>5.0</td> <td>3.7</td> <td>2.4</td> <td>2.8</td> <td>2.4</td> <td>2.8</td> <td>8.0</td> </tr> </tbody> </table>					CODE	L1	H	ΦA	ΦB	ΦC	ΦD	P	A	2.0	3.7	2.2	2.6	2.2	2.6	9.53	B	3.5	3.7	2.2	2.6	2.2	2.6	9.53	C	2.8	3.75	2.7	3.1 (THREE RIBS)	2.2	2.6	9.53	D	4.0	3.7	2.2	2.6	2.2	2.6	9.53	E	0.9	3.7	2.2	N/A	2.2	N/A	9.53	F	1.8	3.7	2.5	N/A	2.5	N/A	9.53	G	5.0	3.7	2.4	2.8	2.4	2.8	8.0
CODE	L1	H	ΦA	ΦB	ΦC	ΦD	P																																																																										
A	2.0	3.7	2.2	2.6	2.2	2.6	9.53																																																																										
B	3.5	3.7	2.2	2.6	2.2	2.6	9.53																																																																										
C	2.8	3.75	2.7	3.1 (THREE RIBS)	2.2	2.6	9.53																																																																										
D	4.0	3.7	2.2	2.6	2.2	2.6	9.53																																																																										
E	0.9	3.7	2.2	N/A	2.2	N/A	9.53																																																																										
F	1.8	3.7	2.5	N/A	2.5	N/A	9.53																																																																										
G	5.0	3.7	2.4	2.8	2.4	2.8	8.0																																																																										
					04		D		2	S.P.S.T NC ONLY TERMINAL TYPE C D P	C																																																																						
							P				G																																																																						
											I																																																																						
											K																																																																						
											M																																																																						
											P																																																																						
											R																																																																						
											D																																																																						
											E																																																																						
											F																																																																						
											H																																																																						
											J																																																																						
											L																																																																						
											N																																																																						
											Q																																																																						
											S																																																																						

**OPERATING CHARACTERISTICS**

SWITCH TYPE	PART SUFFIX	OF Max (gf)	OP (mm)	PT Max (mm)	OT Min (mm)	MD Max (mm)	FP Max (mm)	RF Min (gf)
DW- □□ S-00A0-Z		S	130	3.05±0.2	0.8	0.8	0.3	3.65
				6.75±0.2				7.35
DW- □□ S-01A0-Z		S	195	3.7±0.5	3.85	1.35	0.5	7.0
				7.4±0.5				10.7
DW- □□ S-04A0-Z		S	160	6.2±0.8	4.8	1.65	0.7	10.1
				9.9±0.8				13.8

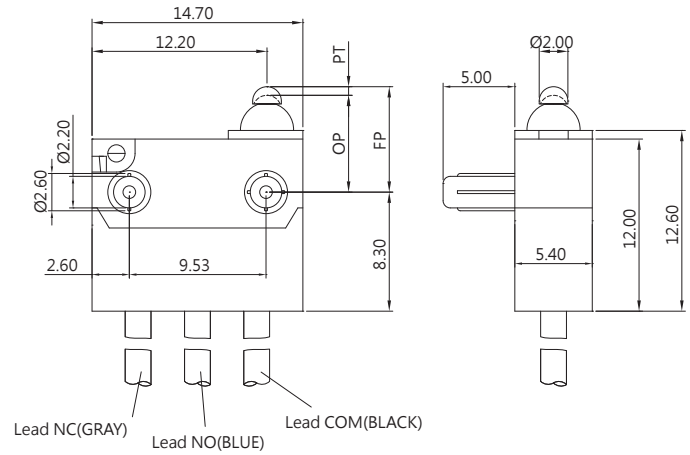
# WATER PROOF SWITCHES



## DW (IP67) SERIES

### DIMENSIONS

Unless otherwise specified, a tolerance of  $\pm 0.4\text{mm}$  applies to all dimensions.



### APPLICATIONS

Automotive (Seat Belt, Door Latch, Engine Hood, Door Trunk), Air Conditioner, Communication, Security System, Electric Tooth Brush, Toy

### CERTIFICATE INFORMATION

Model Name	UL, cUL	ENEC14
DW-N2S	10 mA 12 VDC (Temp : 65°C ), Min. 10,000 operations	10mA 12VDC, $\mu$ 5E5
DW-N3S	3 A 12 VDC (Temp:65°C) Min. 100,000 operations 3A 125 VAC (Temp:65°C) Min. 6,000 operations	3A 12VDC, $\mu$ 1E5

### ORDERING INFORMATION

DW — N2    S — 01    A    0 — E    A    001A — Z

SERIES PREFIX	CODE	RATING CURRENT	CODE	OPERATING FORCE	CODE	ACTUATOR TYPE	CODE	PILLAR & TRAVEL TYPE	CODE	CIRCUIT ARRANGEMENT	CODE	AWG TYPE	CODE	UL NUMBER	SERIAL CODE	ROHS CODE																																																	
DW	N2	10mA 12VDC Contact Plated Gold and Terminal Plated Silver	S	STANDARD	00		A	SHORT TRAVEL	0	S.P.D.T	E	20	A	UL 1007	O	Z																																																	
		1				S.P.S.T.NO			F	22	C	UL 1430																																																					
DW	N3	3A 12VDC 3A 125VAC Terminal Plated Silver and Contact is Silver	S	STANDARD	01		B	SHORT TRAVEL	2	S.P.S.T.NC	G	24	D	UL 1061	R	Z																																																	
		3				S.P.S.T.NC			H	25	N/A	N/A																																																					
DW	N3	3A 12VDC 3A 125VAC Terminal Plated Silver and Contact is Silver	S	STANDARD	04		C	LONG TRAVEL	I	D	L	2.8	3.75	2.7	2.2	2.6	2.2	2.6	9.53																																														
						J	E		2.5											N/A	2.5	N/A	9.53																																										
						K																		F	2.5	N/A	2.5	N/A	9.53																																				
						L																								G	2.4	2.8	2.4	2.8	8.0																														
						M																														H	2.5	N/A	2.5	N/A	9.53																								
						N																																				I	2.5	N/A	2.5	N/A	9.53																		
						P																																										J	2.5	N/A	2.5	N/A	9.53												
						Q																																																K	2.5	N/A	2.5	N/A	9.53						
						R																																																						L	2.5	N/A	2.5	N/A	9.53
						S																																																											
	N	2.5	N/A	2.5	N/A	9.53																																																											
							O	2.5	N/A	2.5	N/A	9.53																																																					
													P	2.5	N/A	2.5	N/A	9.53																																															
																			Q	2.5	N/A	2.5	N/A	9.53																																									
																									R	2.5	N/A	2.5	N/A	9.53																																			
																															S	2.5	N/A	2.5	N/A	9.53																													

**DIMENSIONS**  

CODE	L1	H	ΦA	ΦB	ΦC	ΦD	P
A	2.0	3.7	2.2	2.6	2.2	2.6	9.53
B	3.5	3.7	2.2	2.6	2.2	2.6	9.53
C	2.8	3.75	2.7	3.1 (THREE RIBS)	2.2	2.6	9.53
D	4.0	3.7	2.2	2.6	2.2	2.6	9.53
E	0.9	3.7	2.2	N/A	2.2	N/A	9.53
F	1.8	3.7	2.5	N/A	2.5	N/A	9.53
G	5.0	3.7	2.4	2.8	2.4	2.8	8.0