

1

2

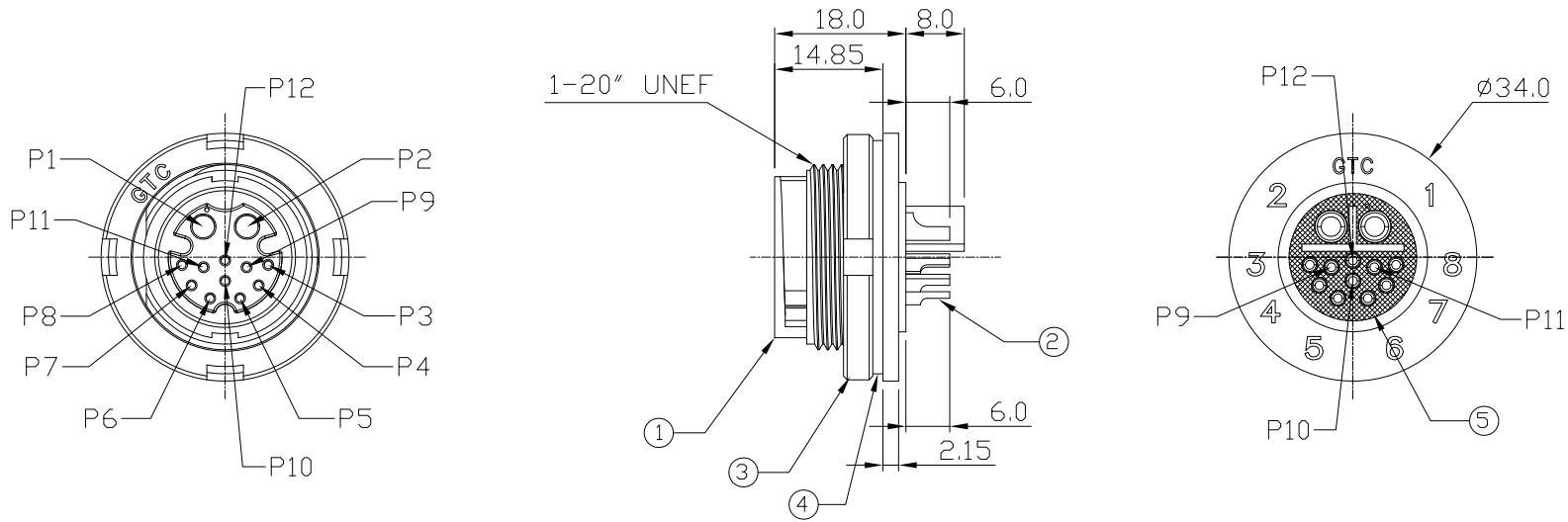
3

4

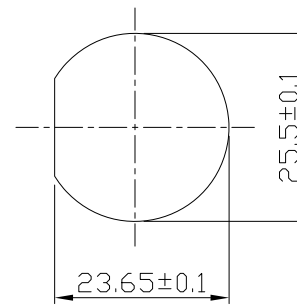
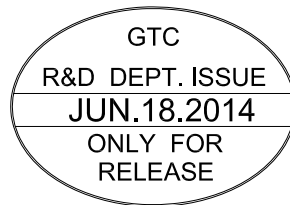
| REV | ECN#       | DESCRIPTION OF REVISION | DRAW BY DATE   | CHECK BY DATE | APPROVE BY DATE |
|-----|------------|-------------------------|----------------|---------------|-----------------|
| 02  | ECN-140616 | Add Key                 | Lucas 06/18/14 | Ray 06/18/14  | Ray 06/18/14    |

Notes: (Unless Otherwise Specified)

1. Waterproof Rate: IP67.
2. Recommend Panel Thickness: 0.8 to 4.0 mm.
3. Recommend Torque: 19.0~20.0 Kgf-cm.
4. Mating Cap P/N: GT1C5421X2.
5. RoHS Compliant.



| 5    | Glue        | Epoxy<br>Color: Black             |      |
|------|-------------|-----------------------------------|------|
| 4    | Gasket      | Silicone<br>Color: Black          | 1    |
| 3    | Spanner Nut | Thermoplastic<br>Color: Black     | 1    |
| 2    | Contacts    | Copper Alloy<br>Finish: Au Plated | 12   |
| 1    | Housing     | Thermoplastic<br>Color: Black     | 1    |
| Item | Part Name   | Material / Finish                 | Q'ty |



Recommend Panel Cut-Out

| TITLE  |      |       |             |              |                | DRAWING NUMBER          |                             |      | REV.  |
|--|------|-------|-------------|--------------|----------------|-------------------------|-----------------------------|------|-------|
| C4 25A+5A 2P+10P Panel Female Solder Lock (Code B) |      |       |             |              |                | GT1D4292-052A0(FS)      |                             |      | 02    |
| THIRD ANGLE PROJECTION                             | SIZE | SCALE | DRAW / DATE | CHECK / DATE | APPROVE / DATE | X.X ± 0.5<br>X.XX ± 0.2 | X.XXX ± 0.05<br>ANGLES ± 1° | mm   | 1/1   |
|  |      |       |             |              |                | TOLERANCES              |                             | UNIT | SHEET |

GT Contact CO.,LTD

NOTICE OF PROPRIETARY PROPERTY:

THE INFORMATION CONTAINED HEREIN IS THE PROPRIETARY PROPERTY OF GT Contact CO.,LTD THE POSSESSOR AGREES TO THE FOLLOWING:

(a) TO MAINTAIN THIS DOCUMENT IN CONFIDENCE  
 (b) NOT TO REPRODUCE OR COPY IT  
 (c) NOT TO REVEAL OR PUBLISH IT IN WHOLE OR PART  
 (d) ALL RIGHTS RESERVED

1

2

3

4