

1

2

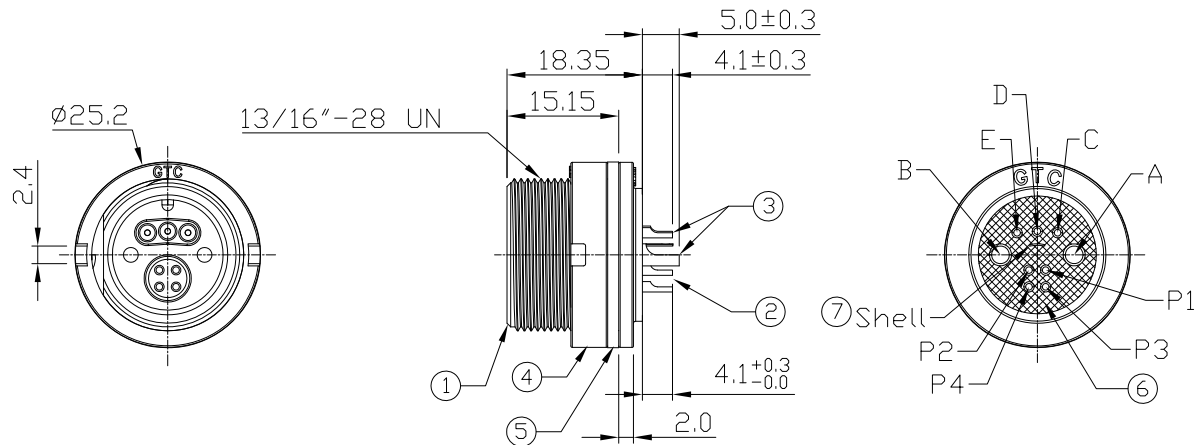
3

4

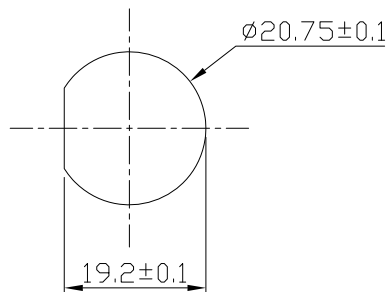
Notes: (Unless Otherwise Specified)

- 1. Waterproof Rate : IP67.
- 2. Recommend Panel Thickness: 0.8 to 3.0 mm.
- 3. Recommend Torque: 14.0~15.0 Kgf-cm.
- 4. Mating Cap P/N: GT1C5331X2.
- 5. RoHS Compliant.

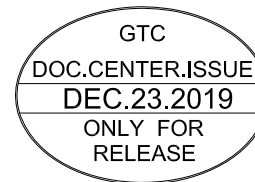
REV	ECN#	DESCRIPTION OF REVISION	DRAW BY DATE	CHECK BY DATE	APPROVE BY DATE
01			Lucas 12/19/19	Lucas 12/19/19	Ray 12/19/19



7	Shell	Copper Alloy Finish: Ni Plated	1
6	Glue	Epoxy Color: Black	
5	Gasket	Silicone Color: Black	1
4	Spanner Nut	Thermoplastic Color: Black	1
3	Male Contacts	Copper Alloy Finish: Au Plated	5
2	Female Contacts	Beryllium Copper Finish: Au Plated	4
1	Housing	Thermoplastic Color: Black	1
Item	Part Name	Material/Finish	Q'ty



Recommend Panel Cut-Out



TITLE						DRAWING NUMBER			REV.
Hybrid C3 15A+2A 2P+3P Male/2A 4P Female Panel Solder Screw With Shell						GT1D3308-08270(S)			01
	B	1:1	Lucas 12/19/19	Lucas 12/19/19	Ray 12/19/19	X.X ± 0.5 X.XX ± 0.2	X.XXX ± 0.05 ANGLES ± 1°	mm	1/1
THIRD ANGLE PROJECTION	SIZE	SCALE	DRAW / DATE	CHECK / DATE	APPROVE / DATE	TOLERANCES		UNIT	SHEET

GT Contact CO.,LTD

NOTICE OF PROPRIETARY PROPERTY:  
 THE INFORMATION CONTAINED HEREIN IS THE PROPRIETARY PROPERTY OF GT CONTACT CO.,LTD THE POSSESSOR AGREES TO THE FOLLOWING:  
 (A) TO MAINTAIN THIS DOCUMENT IN CONFIDENCE  
 (B) NOT TO REPRODUCE OR COPY IT  
 (C) NOT TO REVEAL OR PUBLISH IT IN WHOLE OR PART  
 (D) ALL RIGHTS RESERVED

1

2

3

4