

1

2

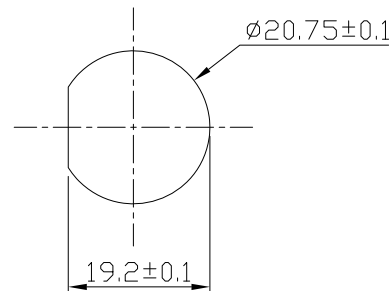
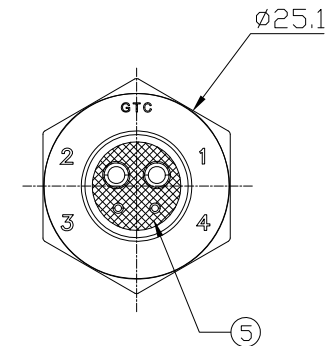
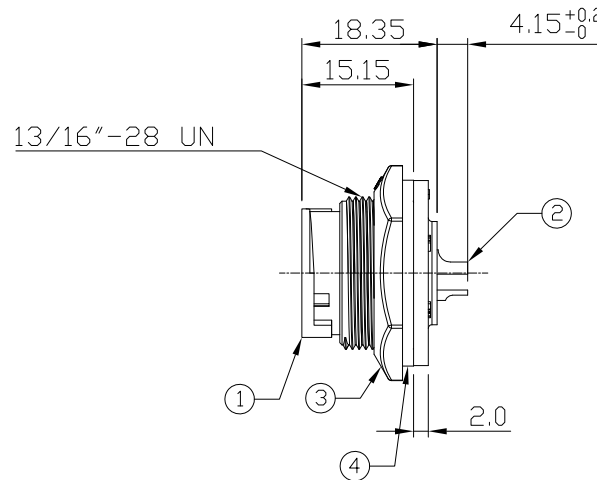
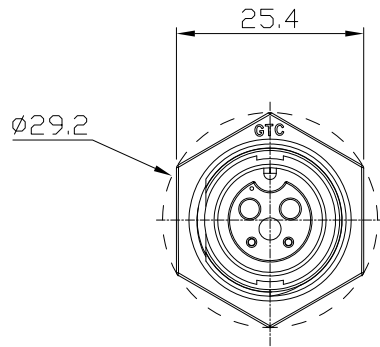
3

4

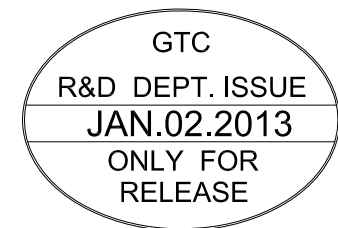
Notes: (Unless Otherwise Specified)

1. Waterproof Rate : IP67.
2. Recommend Panel Thickness: 0.8 to 4.0 mm.
3. Recommend Torque: 6.0~7.0 Kgf-cm.
4. Mating Cap P/N: GT1C5321X2.
5. 100% Mating Test.
6. RoHS Compliant.

REV	ECN#	DESCRIPTION OF REVISION	DRAW BY DATE	CHECK BY DATE	APPROVE BY DATE
01			Lucas 01/02/13	Ray 01/02/13	Ray 01/02/13



Recommend
Panel Cut-Out



5	Glue	Epoxy Color: Black	
4	Gasket	Silicone Color: Black	1
3	Hex Nut	Thermoplastic Color: Black	1
2	Contacts	Copper Alloy Finish: Au Plated	4
1	Housing	Thermoplastic Color: Black	1
Item	Part Name	Material/Finish	Q'ty

TITLE						DRAWING NUMBER			REV.
Hybrid C3 15A+2A 2P+2P Panel Female Solder Lock						GT1D3202-08220			01
	B	1:1	Lucas 01/02/13	Ray 01/02/13	Ray 01/02/13	X.X ± 0.5 X.XX ± 0.2	X.XXX ± 0.05 ANGLES ± 1°	mm	1/1
THIRD ANGLE PROJECTION	SIZE	SCALE	DRAW / DATE	CHECK / DATE	APPROVE / DATE	TOLERANCES		UNIT	SHEET

GT Contact CO.,LTD

NOTICE OF PROPRIETARY PROPERTY:

THE INFORMATION CONTAINED HEREIN IS THE PROPRIETARY PROPERTY OF GT Contact CO.,LTD THE POSSESSOR AGREES TO THE FOLLOWING:
 (A) TO MAINTAIN THIS DOCUMENT IN CONFIDENCE
 (B) NOT TO REPRODUCE OR COPY IT
 (C) NOT TO REVEAL OR PUBLISH IT IN WHOLE OR PART
 (D) ALL RIGHTS RESERVED

1

2

3

4