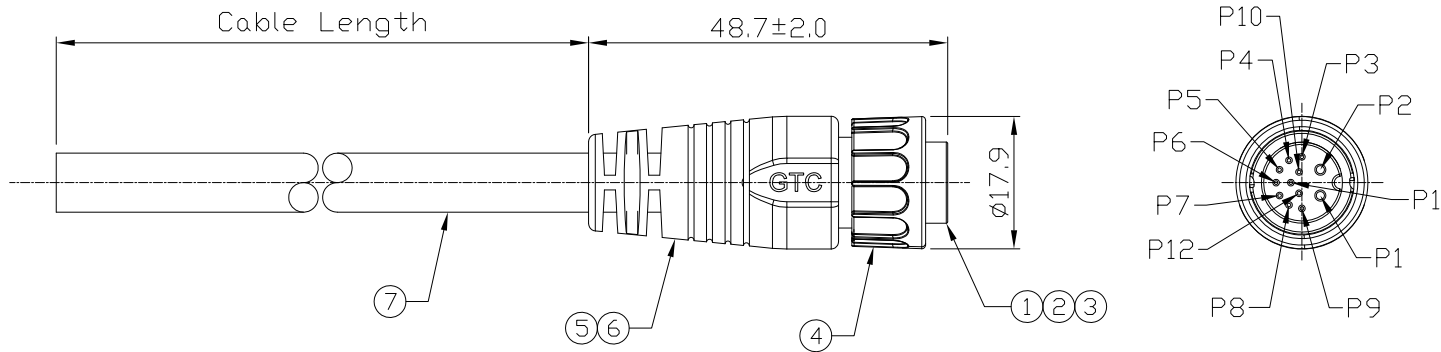


Notes: (Unless Otherwise Specified)  
 1. Waterproof Rate : IP67.  
 2. RoHS Compliant.

| REV | ECN# | DESCRIPTION OF REVISION | DRAW BY DATE      | CHECK BY DATE   | APPROVE BY DATE |
|-----|------|-------------------------|-------------------|-----------------|-----------------|
| 01  |      |                         | Lucas<br>12/19/14 | Ray<br>12/19/14 | Ray<br>12/19/14 |

GTC  
 R&D DEPT. ISSUE  
 DEC.31.2014  
 ONLY FOR  
 RELEASE



| Part No.          | Cable Length | Tol. |
|-------------------|--------------|------|
| GT1D2222-2A2A1-10 | 10000 mm     | ±500 |
| GT1D2222-2A2A1-09 | 9000 mm      | ±450 |
| GT1D2222-2A2A1-08 | 8000 mm      | ±400 |
| GT1D2222-2A2A1-07 | 7000 mm      | ±150 |
| GT1D2222-2A2A1-06 | 6000 mm      | ±150 |
| GT1D2222-2A2A1-05 | 5000 mm      | ±150 |
| GT1D2222-2A2A1-04 | 4000 mm      | ±150 |
| GT1D2222-2A2A1-03 | 3000 mm      | ±150 |
| GT1D2222-2A2A1-02 | 2000 mm      | ±100 |
| GT1D2222-2A2A1-01 | 1000 mm      | ±50  |
| GT1D2222-2A2A1-Z9 | 900 mm       | ±40  |
| GT1D2222-2A2A1-Z8 | 800 mm       | ±40  |
| GT1D2222-2A2A1-Z7 | 700 mm       | ±40  |
| GT1D2222-2A2A1-Z6 | 600 mm       | ±40  |
| GT1D2222-2A2A1-Z5 | 500 mm       | ±40  |
| GT1D2222-2A2A1-Z4 | 400 mm       | ±20  |
| GT1D2222-2A2A1-Z3 | 300 mm       | ±20  |
| GT1D2222-2A2A1-Z2 | 200 mm       | ±10  |

|    |             |
|----|-------------|
| 1  | Black       |
| 2  | Red         |
| 3  | Brown       |
| 4  | Orange      |
| 5  | Yellow      |
| 6  | Green       |
| 7  | Blue        |
| 8  | Purple      |
| 9  | Gray        |
| 10 | White       |
| 11 | Pink        |
| 12 | Black/White |

| Item | Part Name  | Material / Finish  | Qty |
|------|------------|--|-----|
| 7    | Cable      | UL2464 18AWG*2C+26AWG*10C+D+Al/My, OD=8.0mm<br>Color:Black | 1   |
| 6    | Over Mold  | PVC<br>Color: Black  | 1   |
| 5    | Inner Mold | Thermoplastic<br>Color: White or Black                     | 1   |
| 4    | Lock Nut   | Thermoplastic<br>Color: Black                              | 1   |
| 3    | O-Ring     | Silicone<br>Color: Red                                     | 1   |
| 2    | Contacts   | Copper Alloy<br>Finish: Au Plated                          | 12  |
| 1    | Housing    | Thermoplastic<br>Color: Black                              | 1   |

Wiring Diagram

| TITLE   |      |       |             |              |                | DRAWING NUMBER          |                             |    | REV. |       |
|---|------|-------|-------------|--------------|----------------|-------------------------|-----------------------------|----|------|-------|
| C2 10A+1A 2P+10P Cable End Female Lock (Code A) |      |       |             |              |                | GT1D2222-2A2A1-XX       |                             |    | 01   |       |
| THIRD ANGLE PROJECTION                          | SIZE | SCALE | DRAW / DATE | CHECK / DATE | APPROVE / DATE | X.X ± 0.5<br>X.XX ± 0.2 | X.XXX ± 0.05<br>ANGLES ± 1° | mm | 1/1  |       |
|   |      |       |             |              |                | TOLERANCES              |                             |    | UNIT | SHEET |

GT Contact CO.,LTD

NOTICE OF PROPRIETARY PROPERTY:  
 THE INFORMATION CONTAINED HEREIN IS THE PROPRIETARY PROPERTY OF GT Contact CO.,LTD THE POSSESSOR AGREES TO THE FOLLOWING:  
 (a) TO MAINTAIN THIS DOCUMENT IN CONFIDENCE  
 (b) NOT TO REPRODUCE OR COPY IT  
 (c) NOT TO REVEAL OR PUBLISH IT IN WHOLE OR PART  
 (d) ALL RIGHTS RESERVED